

OPS-6036-RS - MASS Grab Bar and Seat Shower

Model number:

141369

Dimensions: 63" x 39" x 79"

Installation: Alcove

Material: AcryIX™



Standard Features:

- 1-piece roll-in shower reinforced according to FHA accessibility requirements
- One horizontal Straight 48" textured Stainless Steel grab bar and one rectangular fold up Naugahyde white seat
- Center drain
- Textured bottom
- 3/4" reduced skirt and 1/2" high threshold

Product characteristics:

- One-Piece Unit
- MASS
- Grab Bars & Seats Available

Warranty:

Lifetime limited

Standard colors:



White (002)



Bone (004)



Biscuit (007)

Certifications

ABG products adhere to one or more of the following certifications:



Options (Visit our website for a complete list of our options)

No	Description
<input type="checkbox"/> OPT 20259	60" Curtain rod
<input type="checkbox"/> OPT 20059-084	Recessed soap dish (Drilled, not installed) in chrome

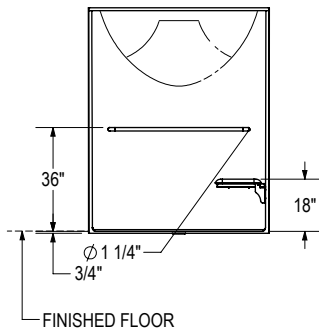
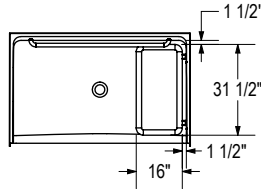
OPS-6036-RS - MASS Grab Bar and Seat Shower

Model number: 141369

Dimensions: 63" x 39" x 79" **Installation:** Alcove

Material: AcryIX™

BASE MODEL WITH MASS GRAB BAR & SEAT PACKAGE
LEFT SIDE SHOWN
RIGHT SIDE SYMMETRICAL



All dimensions are approximate. Structure measurements must be verified against the unit to ensure proper fit.

Dimensions:
62 1/2 x 39 1/4 x 78 3/4 in.
Weight:
225 lbs -
Shape:
Rectangular
Pieces:
1
Drain location:
Left seat, center drain
Right seat, center drain

Project: _____

Contractor: _____

Representative: _____

Date: _____

Tel: _____

Notes: _____
