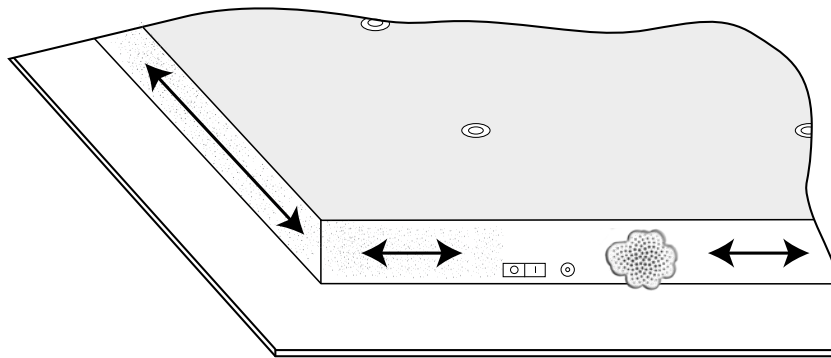


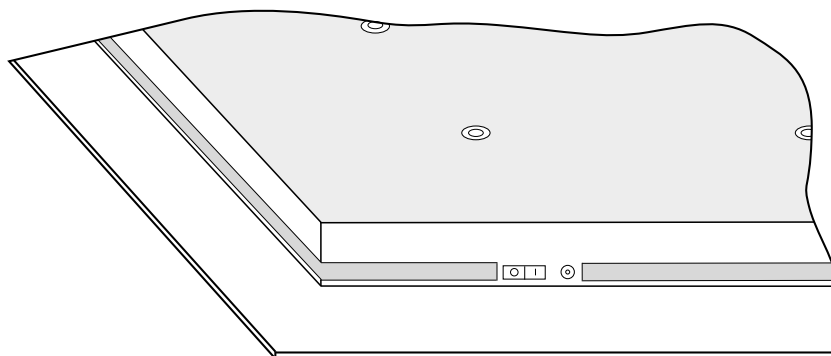


**KIT Contents:** *Two (2) rolls of Scotch™ brand Mounting Tape ½" x 75"*  
*Four (4) Pieces of pre-cut, high-temperature polycarbonate*

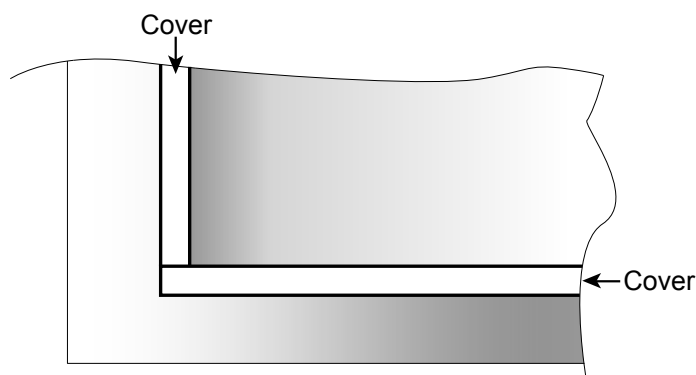
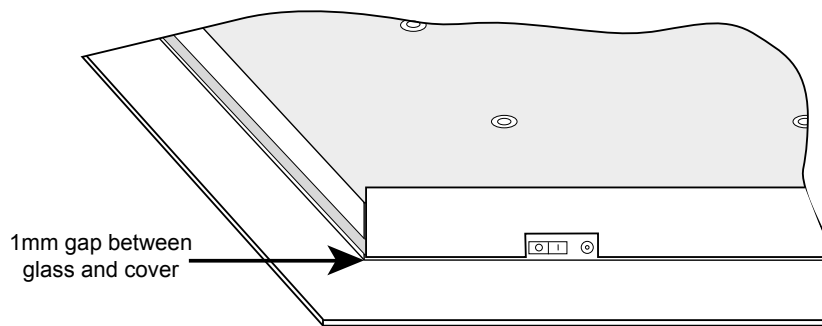
- Step 1.** Verify that the correct sizes and quantity of polycarbonate pieces have been received and inspect cosmetic condition of each piece.
- Step 2.** Test fit each cover to verify proper dimensions and fit. Take special note of clearance in areas around the pilot light and power switch. Contact WarmlyYours if any dimensions are incorrect.
- Step 3.** Using a cotton ball or rag soaked in rubbing alcohol, clean all 4 sides of the lava as shown



- Step 4.** After the sides of the Lava have dried, attach the double-sided tape around the entire outer edge of the unit as shown. More than one roll of tape may be needed to accomplish this. Do NOT peel the backing off of the tape yet.



- Step 5.** Use a finger to push the entire length of the tape surface firmly to the Lava.
- Step 6.** Once the tape has been completely adhered to the sides of the unit, use a fingernail to separate the backing from the tape.
- Step 7.** Slowly peel the backing paper from the tape, exposing the outer adhesive layer.
- Step 8.** Carefully position each polycarbonate panel along the edges of the Lava. Leave a 1mm gap between the polycarbonate and the glass. Verify correct positioning of the panels before making contact with the tape. Once the panel has been attached to the mounting tape, it is very difficult to reposition it. Removing the panel from the tape and repositioning it may reduce the holding power of the tape. If the tape loses its tack, the tape may need to be removed and new tape put in its place. If the tape needs to be replaced, be sure to clean any remaining residue with a rag or cotton ball soaked with alcohol. Let alcohol dry before installing new tape.



- Step 9.** Verify adhesion of polycarbonate to the LAVA. Mount LAVA as shown in LAVA Installation Manual.