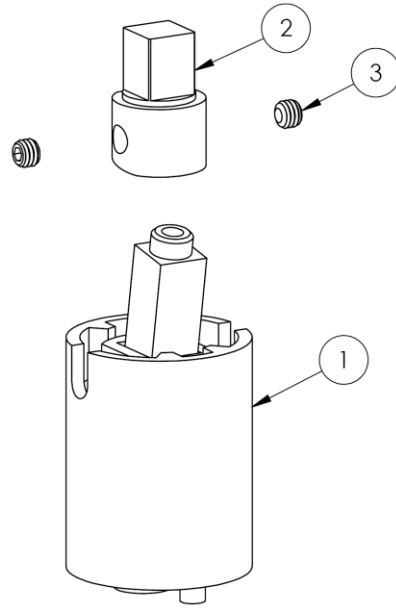
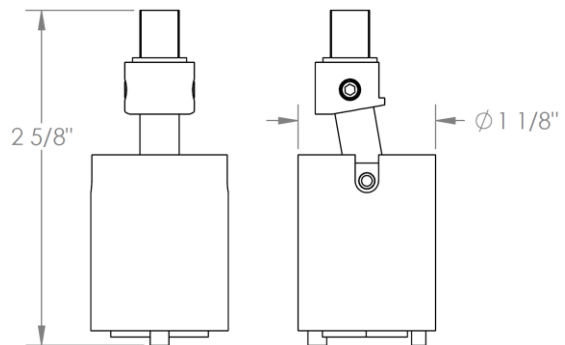


**CRTSYD-1.15**  
 Cartridge for SYD-1.15



ITEM NO.	PART NUMBER	QTY.
1	KEROX K 28	1
2	SYD-1.15-CRT-ADAP	1
3	SSCUPSKT 0.164-32x0.125-HX-S	2



Meets the applicable requirements of ASME A112.18.1-2005/CSA B125.1-05, entitled "Plumbing Supply Fittings"