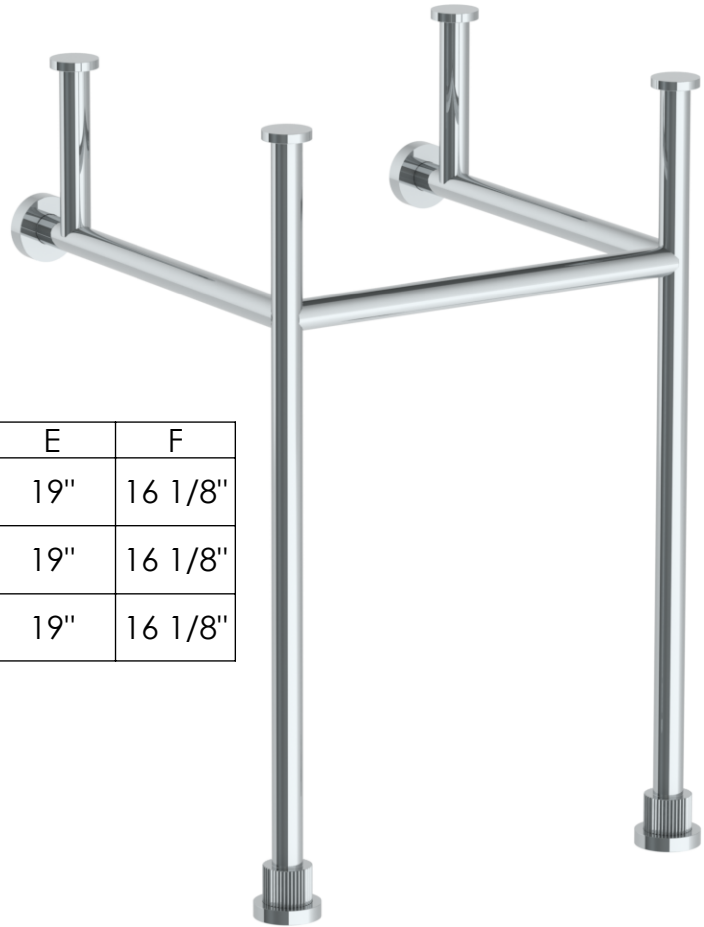
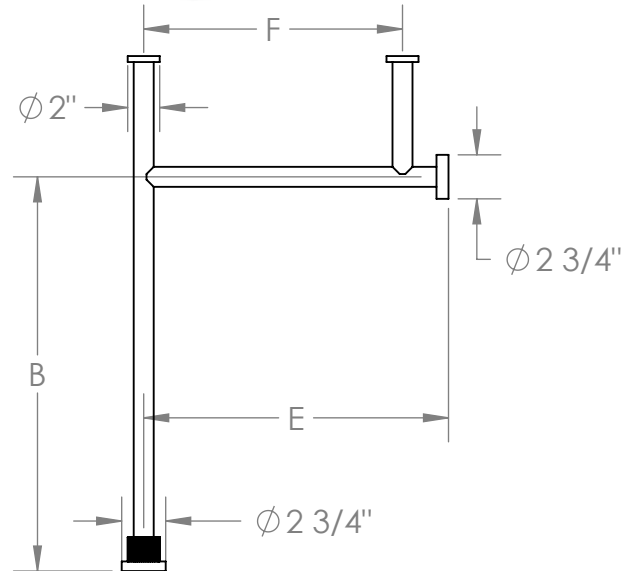
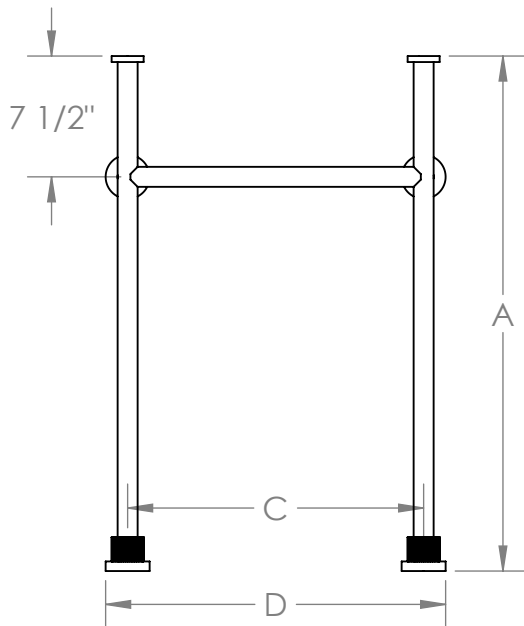


CON24-30-36-SUTST

Console Legs for 24", 30", or 36"
Stone/ Marble/ Glass/ Wood Top



	A	B	C	D	E	F
24"	32 1/4"	24 5/8"	18 1/2"	21 1/4"	19"	16 1/8"
30"	32 1/4"	24 5/8"	25 1/2"	28 1/4"	19"	16 1/8"
36"	32 1/4"	24 5/8"	32 1/2"	34 1/4"	19"	16 1/8"



Meets the applicable requirements of ASME A112.18.1-2005/CSA B125.1-05, entitled "Plumbing Supply Fittings"