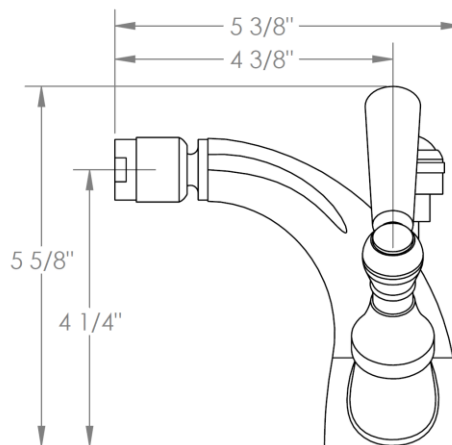
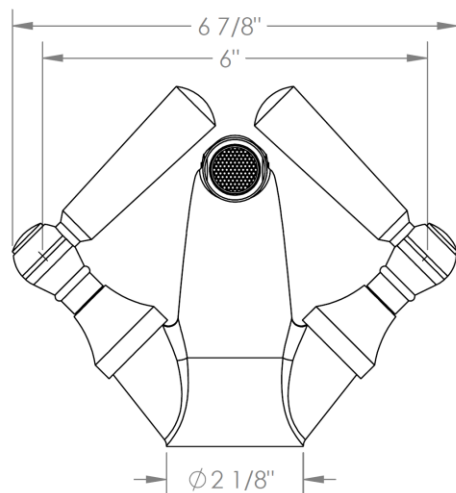


206-4.1-__

Deck Mounted Bidet Monoblock

Includes MPU7 pop-up drain

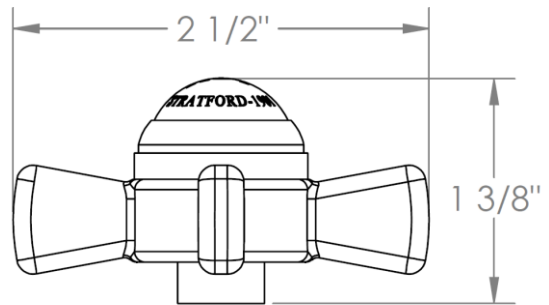
Note: Some building codes may require remote backflow preventers installed in the supply lines



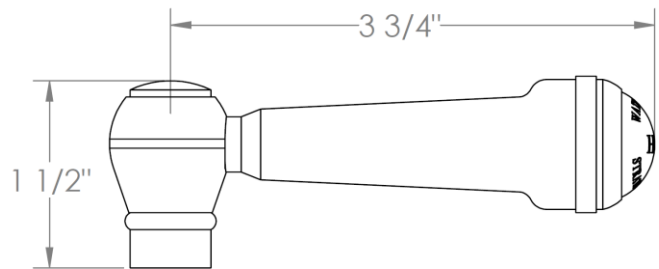
Meets the applicable requirements of ASME A112.18.1-2005/CSA B125.1-05, entitled "Plumbing Supply Fittings"

HANDLE TRIM OPTIONS

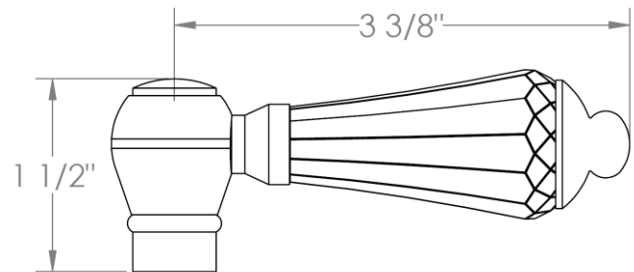
S1 - PRESTON



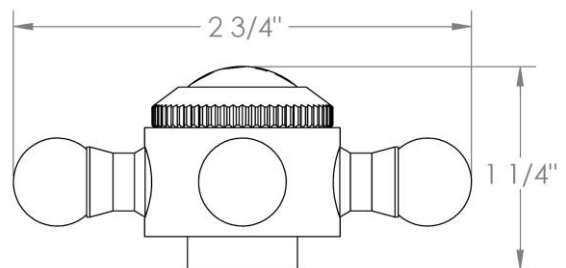
S2 - WALTHAM



SWA - DARIEN



V - WALES



S1A – NOTTINGHAM

