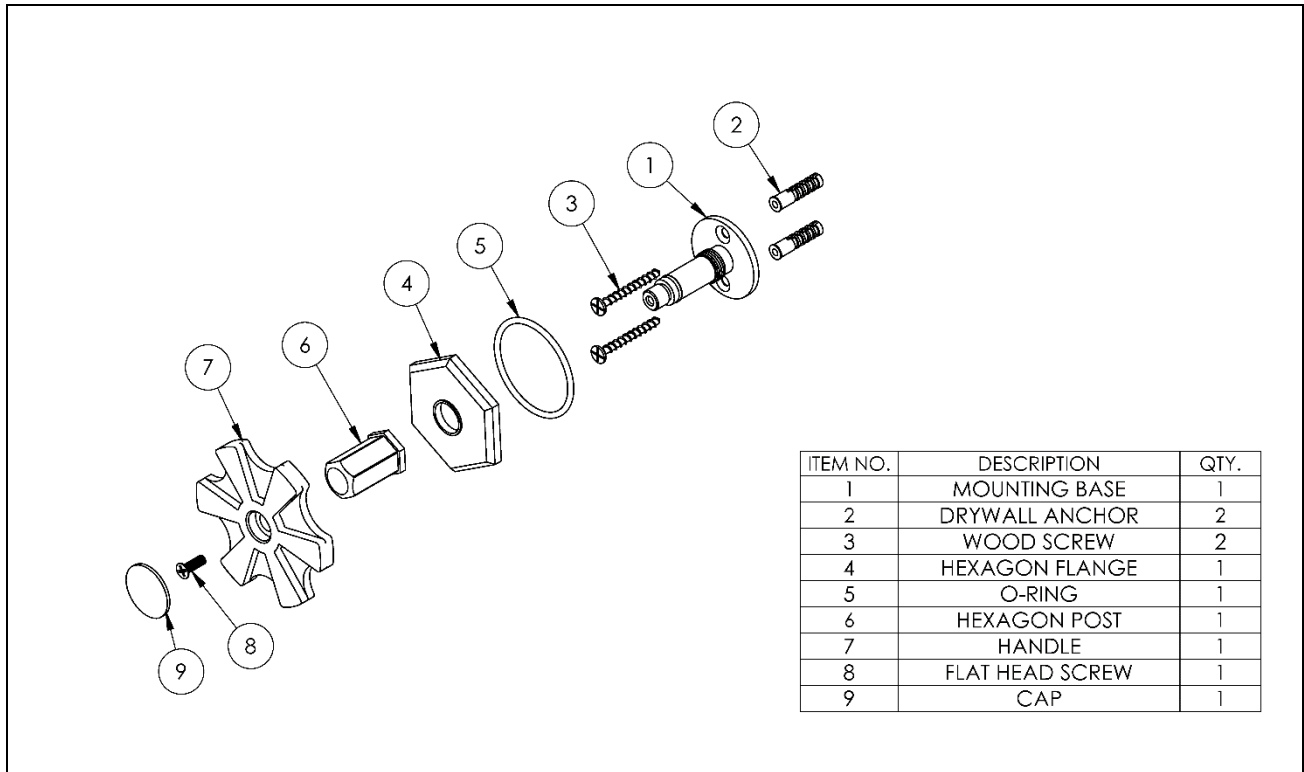
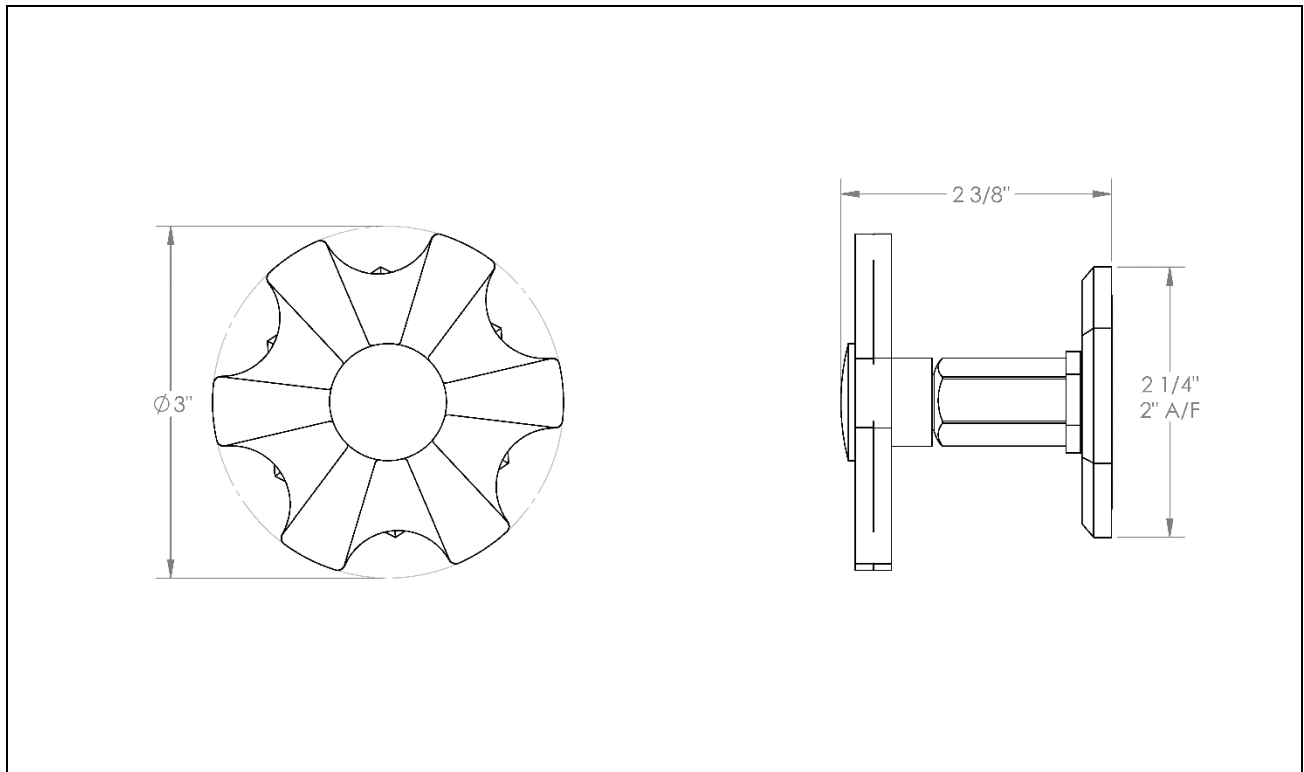


Exploded View



Dimensions



Installation Instructions

1. Mark locations on wall using the **mounting base (1)**.
2. Drill appropriate hole sizes depending on whether the base is being installed onto studs (recommended), drywall, or ceramic tiles. If mounting onto drywall, use the provided **drywall anchors (2)**. Secure base onto the finished wall with **wood screws (3)**.
3. Slide the **flange (4)** over the mounting base and tighten by threading the **hexagonal escutcheon (5)** onto the **mounting base (1)**. Ensure **O-ring (6)** is compressed.
4. Install the **handle (7)** onto the spline and secure with the **flat head screw (8)**.
5. Insert the **cap (9)** onto the **handle (7)**.

IMPORTANT INSTALLATION INFORMATION

- Refer to maintenance guide for finish care instructions.

For technical support, please call 718-257-2800