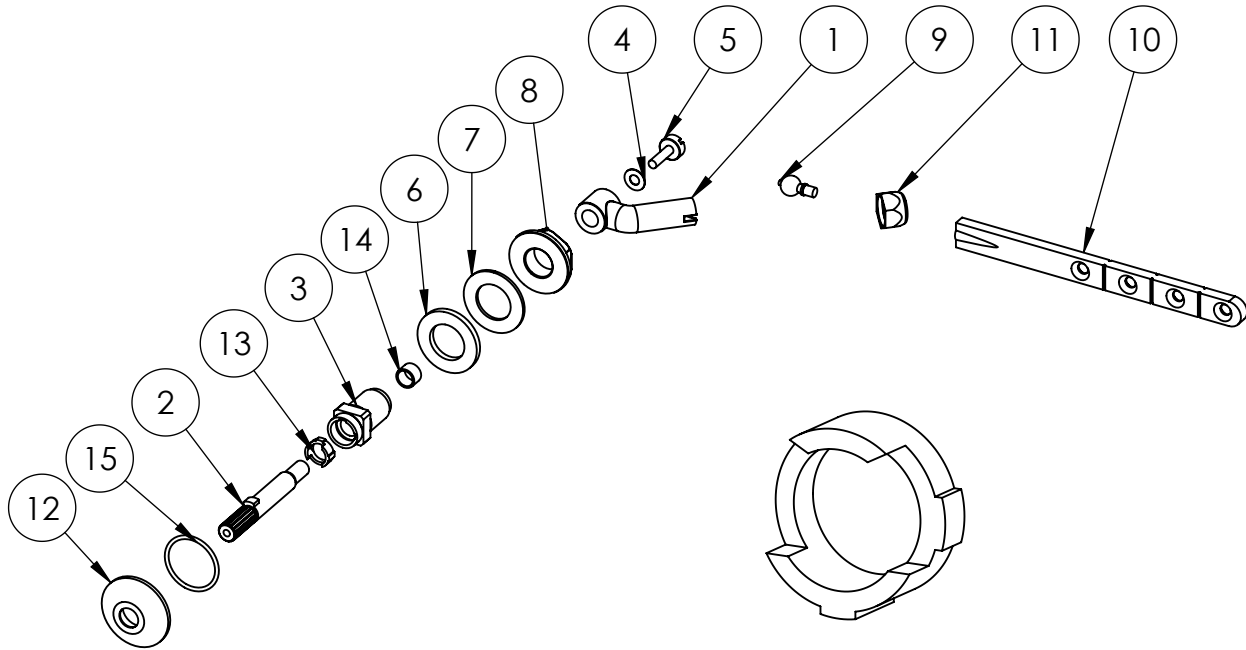


UNIVERSAL TANK LEVER ASSEMBLY INSTALLATION

FRONT MOUNTED



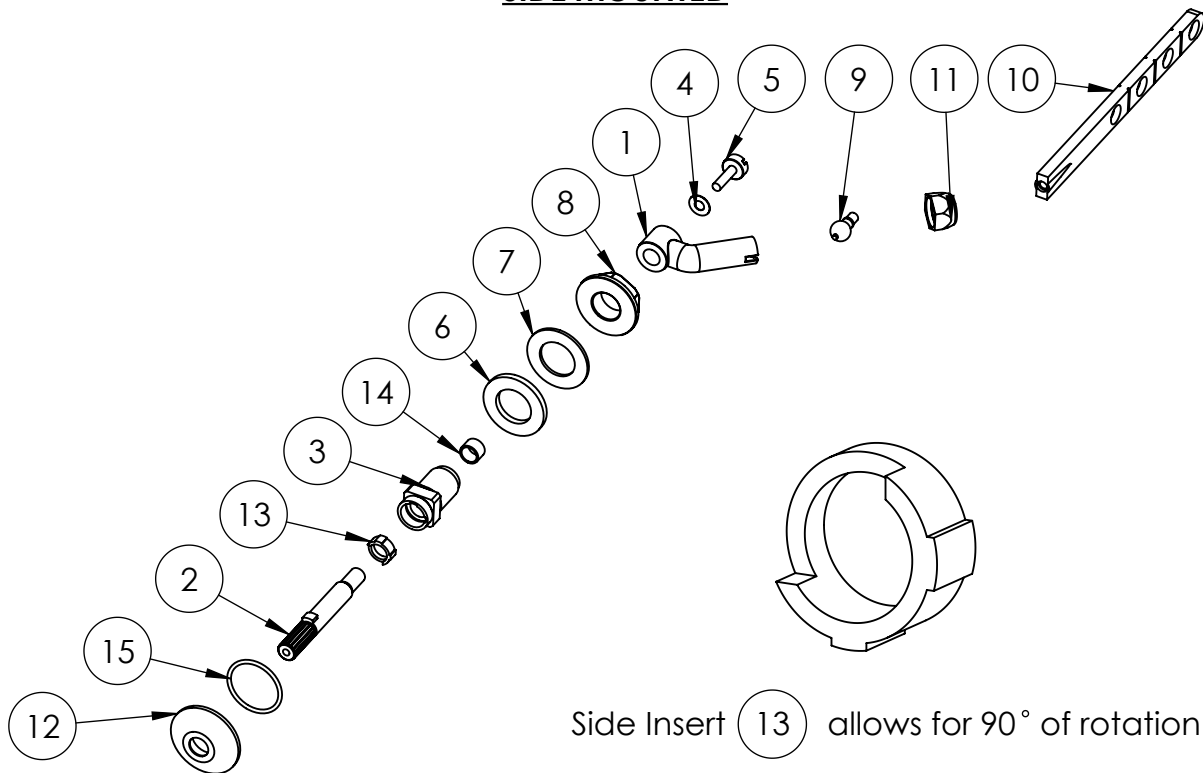
Front Insert (13) allows for 30° of rotation

ITEM NO.	PART NUMBER	QTY.
1	ARM	1
2	STEM	1
3	UTL-NPPL	1
4	SCREW WASHER	1
5	SCREW	1
6	RUBBER WASHER	1
7	WASHER	1
8	UTL-LOCK-NUT	1
9	BALL	1
10	TANK LEVER	1
11	BALL LOCKNUT	1
12	UTL-ESC	1
13	FRONT INSERT / SIDE INSERT	1
14	INSERT .250	1
15	AS568 - 022	1

Meets the applicable requirements of ASME A112.18.1-2005/CSA B125.1-05, entitled "Plumbing Supply Fittings"

UNIVERSAL TANK LEVER ASSEMBLY INSTALLATION

SIDE MOUNTED



ITEM NO.	PART NUMBER	QTY.
1	ARM	1
2	STEM	1
3	UTL-NPPL	1
4	SCREW WASHER	1
5	SCREW	1
6	RUBBER WASHER	1
7	WASHER	1
8	UTL-LOCK-NUT	1
9	BALL	1
10	TANK LEVER	1
11	BALL LOCKNUT	1
12	UTL-ESC	1
13	FRONT INSERT / SIDE INSERT	1
14	INSERT .250	1
15	AS568 - 022	1

Meets the applicable requirements of ASME A112.18.1-2005/CSA B125.1-05, entitled "Plumbing Supply Fittings"

UNIVERSAL TANK LEVER ASSEMBLY INSTALLATION

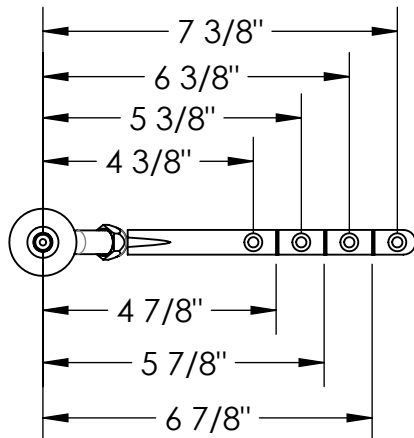
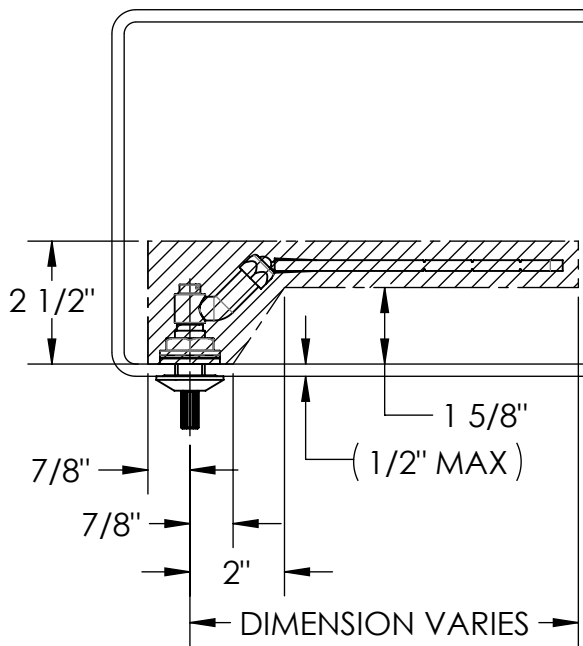
0.11-INS-CLEARANCE-DIMS

MODEL: XX-0.11-_____
(TOILET HANDLE NOT SHOWN)

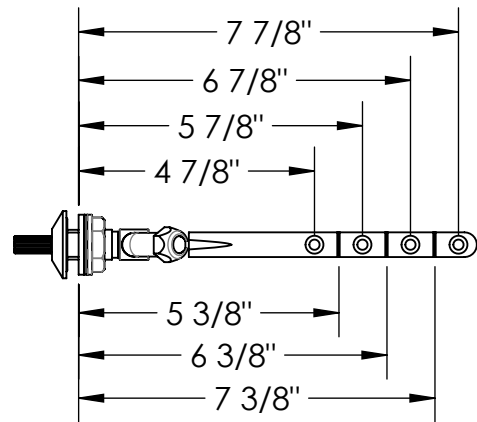
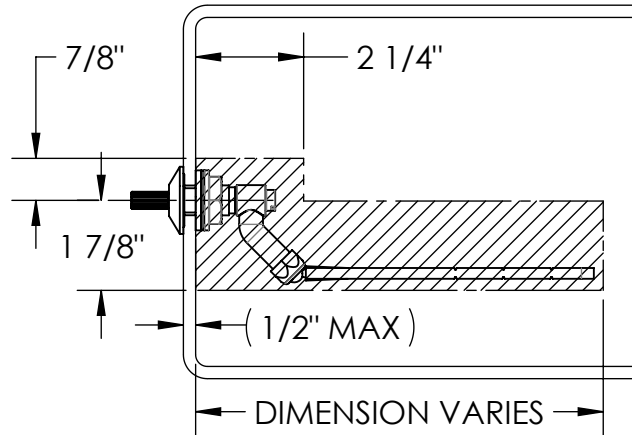
NOTE: NOT TO SCALE

 = MINIMUM CLEARANCE AREA

FRONT MOUNT CONFIGURATION



SIDE MOUNT CONFIGURATION



Meets the applicable requirements of ASME A112.18.1-2005/CSA B125.1-05, entitled "Plumbing Supply Fittings"