

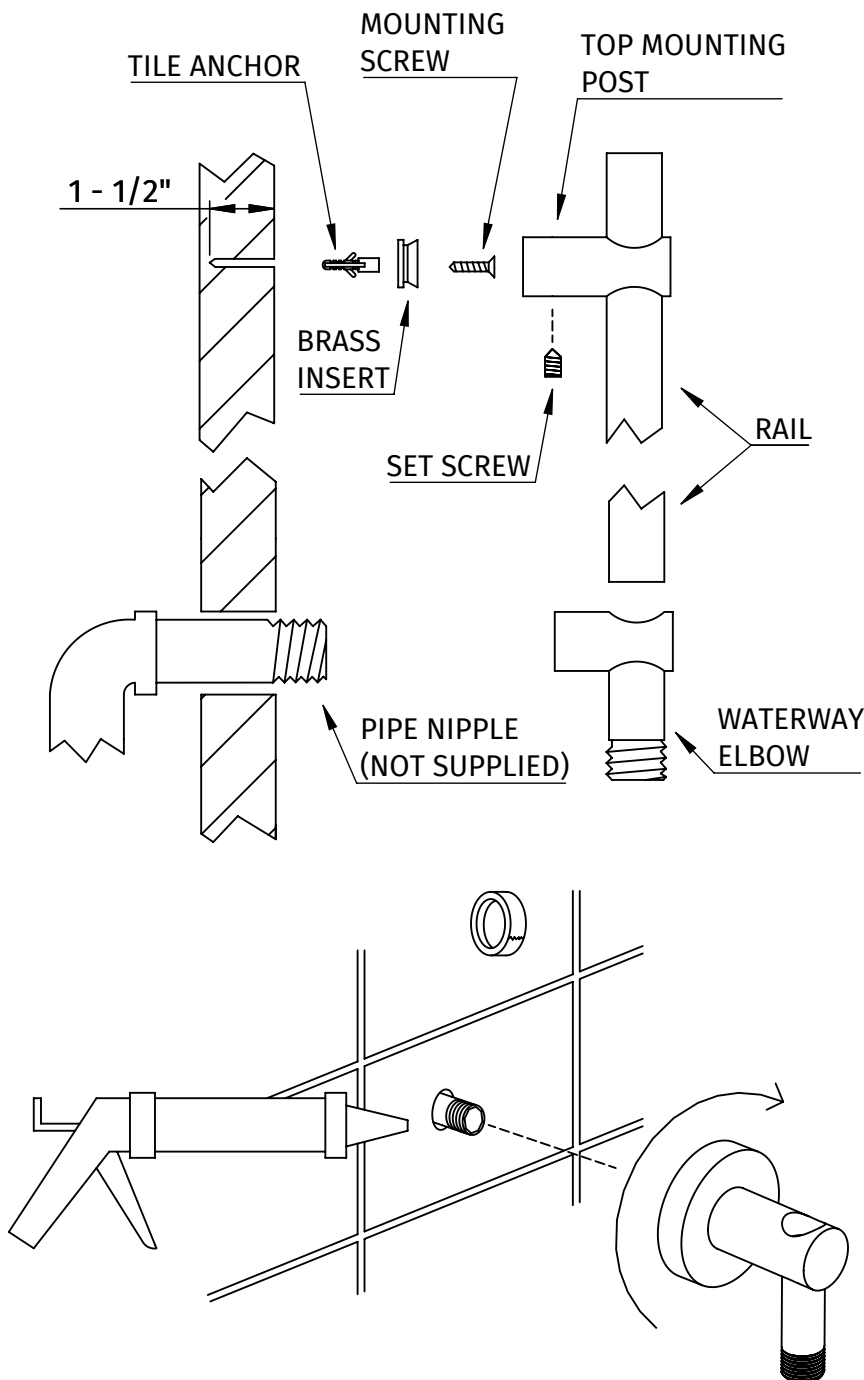
15-1002-xxx

**WALL MOUNTED BRASS SHOWER  
RAIL WITH BOTTOM OUTLET  
INTEGRAL WATERWAY - ROUND**

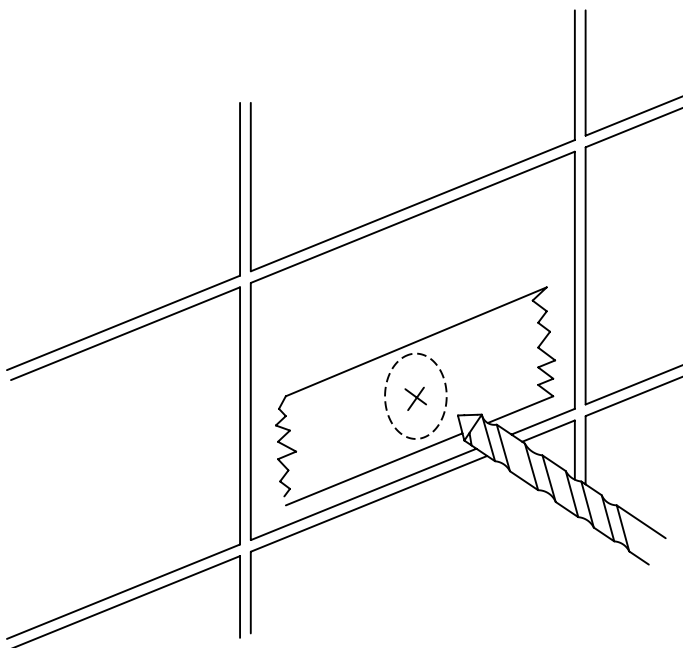
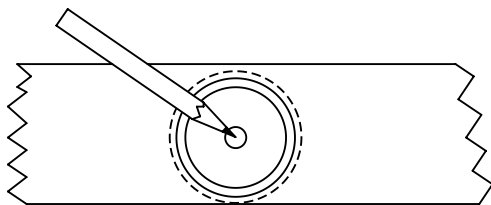
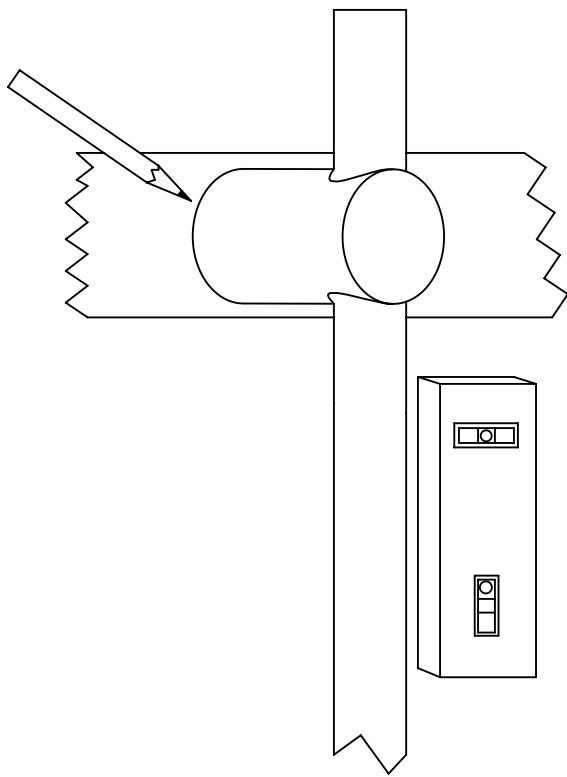
**INSTALLATION INSTRUCTIONS**

**TOOLS REQUIRED:**

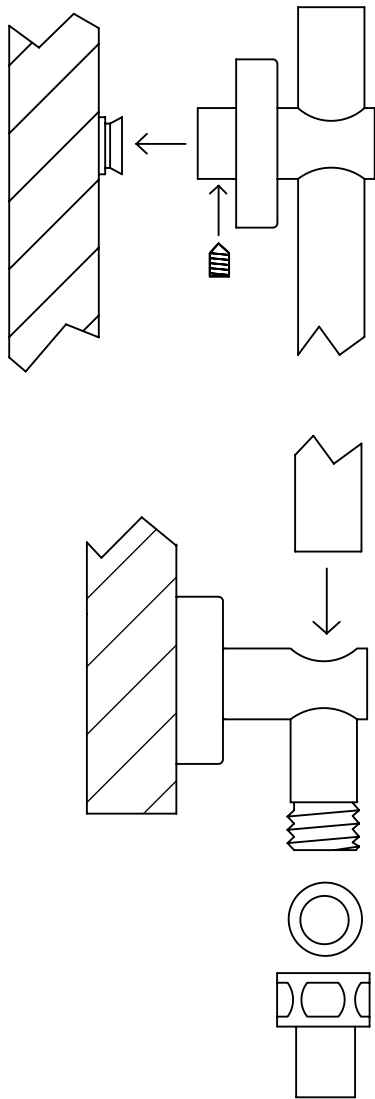
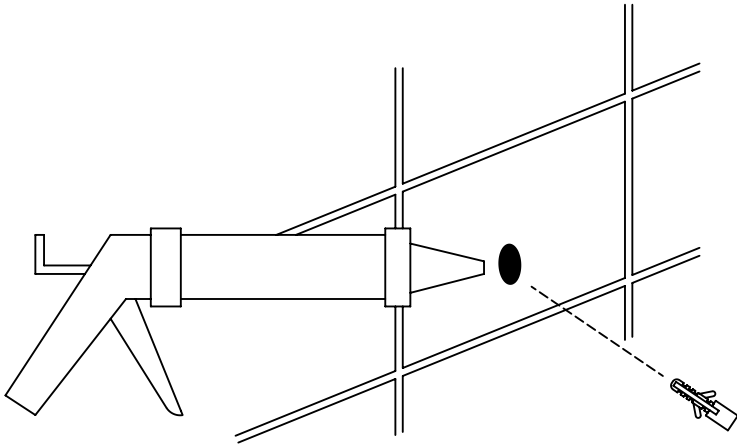
- DRILL
- 5/16" MASONRY OR DIAMOND TIPPED DRILL BIT
- PHILLIPS HEAD SCREWDRIVER
- BUBBLE LEVEL
- MASKING TAPE
- THREAD SEALANT TAPE
- SILICONE CAULK
- PENCIL



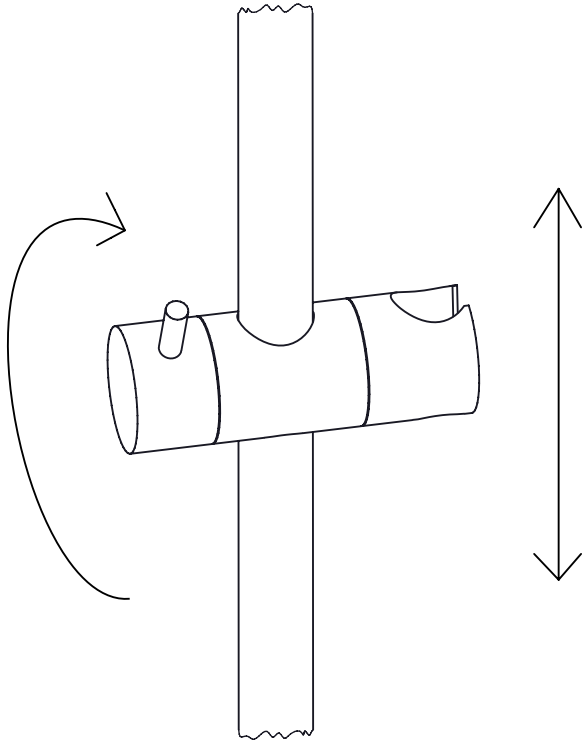
1. USE THE INCLUDED ALLEN KEY TO REMOVE THE WATERWAY ELBOW FROM THE BOTTOM OF THE RAIL AND THE BRASS INSERT FROM THE TOP.
2. WRAP THE THREADS OF THE PIPE NIPPLE WITH THREAD SEALANT TAPE. THREAD THE PIPE NIPPLE INTO THE SUPPLY PIPE.
3. SEAL THE GAP AROUND THE PIPE NIPPLE WITH SILICONE CAULK. **FAILURE TO SEAL THIS HOLE MAY RESULT IN LEAKS AND WATER DAMAGE.**
4. SLIDE THE ESCUTCHEON OVER THE WATERWAY ELBOW.
5. THREAD THE WATERWAY ELBOW ON TO THE PIPE NIPPLE AND TIGHTEN. MAKE SURE THAT THE OUTLET OF THE WATERWAY ELBOW ENDS UP POINTING DOWNWARD.



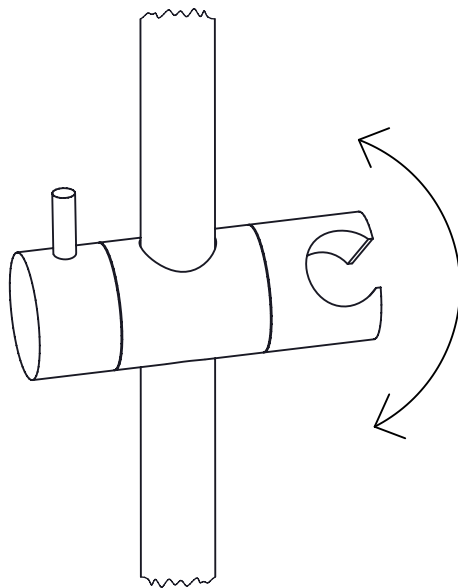
6. SLIDE THE RAIL INTO THE HOLE IN THE WATERWAY ELBOW. USING THE INCLUDED ALLEN KEY, ADJUST THE TOP MOUNTING POST TO THE DESIRED HEIGHT.
7. POSITION THE RAIL UPRIGHT AND USE A LEVEL TO ENSURE THAT IT IS VERTICAL. .
8. PUT MASKING TAPE ON THE WALL WHERE THE TOP OF THE RAIL WILL ATTACH.
9. CHECK THAT THE RAIL IS VERTICAL AND TRACE THE OUTLINE OF THE RAIL INTO THE TAPE. REMOVE THE RAIL FROM THE WATERWAY ELBOW AND SET IT DOWN.
10. PLACE THE ROUND BRASS INSERT AGAINST THE WALL, IN THE CENTER OF THE OUTLINE FROM THE PREVIOUS STEP.
11. MARK THE CENTER OF THE HOLE.
12. USING A 5/16" MASONRY OR DIAMOND TIPPED DRILL BIT, DRILL A HOLE, 1 - 1/2" DEEP ON THE POINT MARKED IN THE PREVIOUS STEP. USE MEDIUM SPEED AND STEADY PRESSURE. BE CAREFUL NOT TO DRILL INTO EXISTING PIPES.



13. REMOVE THE TAPE. FILL THE HOLE WITH SILICONE CAULK. **FAILURE TO SEAL THE HOLE MAY RESULT IN WATER LEAKS.**
14. INSERT THE INCLUDED TILE ANCHORS INTO THE HOLES. TAP INTO PLACE CAREFULLY UNTIL FLUSH WITH THE WALL.
15. MOUNT THE BRASS INSERT ON THE WALL USING THE INCLUDED SCREW.
16. SLIDE THE ESCUTCHEON ON TO THE TOP MOUNTING POST OF THE RAIL.
17. INSERT THE RAIL INTO THE WATERWAY ELBOW AND SLIDE THE TOP MOUNTING POST OVER THE BRASS INSERT. TIGHTEN THE SET SCREW TO SECURE IN PLACE.
18. ATTACH THE HAND SHOWER HOSE TO THE WATERWAY ELBOW. USE THE RUBBER SEALING WASHER IN THE HOSE.



TWIST HANDLE TO ADJUST HEIGHT OF  
HAND SHOWER CRADLE.



HAND SHOWER CRADLE SWIVELS  
FOR CONVENIENCE.

**FINISH CARE & MAINTENANCE**

NEVER USE ANY HARSH ALKALI, ACID BASED DETERGENTS OR CLEANERS SUCH AS SOFT SCRUB®, SCRUBBING BUBBLES® OR COMET® TO CLEAN. DO NOT USE BRILLO® OR SCOTCH BRITE® PADS. THESE WILL ALL HARM THE FINISH. TO CLEAN, USE ONLY A DAMP SOFT CLOTH AND WIPE GENTLY. STANDARD WINDEX® CAN ALSO BE USED SPARINGLY. IT IS NOT NECESSARY TO WIPE HARD TO REMOVE SPOTS. TO MAINTAIN THE FINISH, WIPE WITH A SOFT DRY CLOTH AFTER USE. AN OCCASIONAL COAT OF PURE CARNAUBA WAX WITHOUT CLEANERS WILL HELP PROTECT THE FINISH.