



Tempered™ Farmhouse workstation kitchen sink K-28877

Features

- Fits minimum 36" (914 mm) apron sink base cabinet.
- Single large bowl.
- 9" (229 mm) depth provides generous workspace.
- The Self-Trimming® design requires only a simple rough cut, overlapping the cabinet face for beautiful results.
- Rear drain increases workspace in the sink and storage space underneath.
- Tightly angled fabricated corners maximize bowl space.
- SilentShield® sound-absorption technology offers quieter performance.
- Integrated knife holder provides a convenient spot to dry or place your kitchen knives during food preparation.
- Custom-designed grated rack rests on sink bevel and functions as a drying rack or convenient shelf for rinsing and defrosting.
- Handcrafted walnut cutting board locks securely into rack for effortless cutting and chopping of ingredients.
- Dishwasher-safe sink rack helps protect the sink as well as fragile dishes.
- Box includes: Sink, walnut cutting board, knife holder, drying rack, bottom sink rack, cutout template, installation hardware.



Codes/Standards

ASME A112.19.3/CSA B45.4

KOHLER® Stainless Steel Sinks Lifetime Limited Warranty

See website for detailed warranty information.

Material

- Handcrafted from 18-gauge stainless steel.

Installation

- Undermount.

Recommended Products/Accessories

K-23729 Stainless steel cleaner

Optional Products/Accessories

K-8801 Sink drain and strainer with tailpiece

K-8799 Sink drain and strainer basket

K-11352 Disposal Flange with Stopper

Included Components

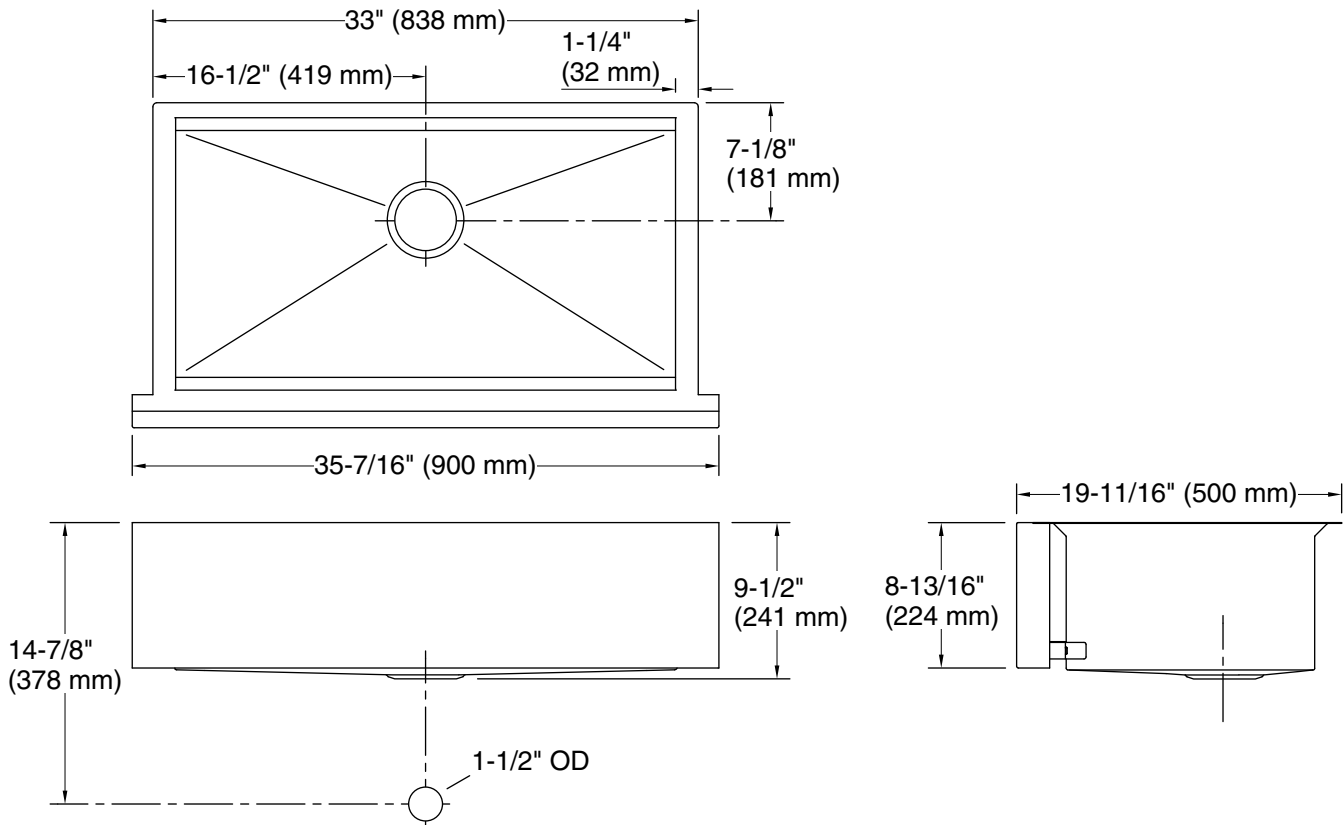
Additional Components:

21616

28878

28879

5542



Technical Information

All product dimensions are nominal.

Bowl configuration:	Single
Installation:	Undermount
Bowl area (Only):	Length: 30-1/4" (768 mm) Width: 14-15/16" (379 mm) Bowl depth: 9-3/16" (233 mm) Water depth: 9-3/16" (233 mm)
Drain hole:	3-3/4" (94 mm)
Template:	Undermount, 1415240-7, required, included

Notes

Install this product according to the installation instructions.