

Features

- Fits minimum 36" (914 mm) apron sink base cabinet.
- Single large bowl.
- 9" (229 mm) depth provides generous workspace.
- Self-Trimming® apron overlaps cabinet face for easy installation and beautiful results.
- Basin slopes toward drain to minimize water pooling.
- Offset drain increases workspace in the sink and storage space underneath.
- No faucet holes; requires wall- or counter-mount faucet.
- Integrated knife holder provides a convenient spot to dry or place your kitchen knives during food preparation.
- Custom-designed grated rack rests on sink bevel and functions as a drying rack or convenient shelf for rinsing and defrosting.
- Handcrafted walnut cutting board locks securely into rack for effortless cutting and chopping of ingredients.
- Box includes: Sink, walnut cutting board, knife holder, drying rack, cutout template, installation hardware.
- Sink strainer sold separately.

Material

- KOHLER® enameled cast iron.
- Acid-resistant enamel finish.

Installation

- For 36" (914 mm) apron-front cabinetry.
- Undermount.

Recommended Products/Accessories

K-8801 Sink drain and strainer with tailpiece
 K-8799 Sink drain and strainer basket
 K-23726 Drain treatment
 K-23725 Cast iron cleaner
 K-6239 Colander with Cutting Board
 K-6255 Right-Bowl Sink Rack
 K-6237 Left-Bowl Sink Rack

Optional Products/Accessories

K-11352 Disposal Flange with Stopper
 K-9000 P-Trap

Included Components

Additional Components:
 28875
 28878
 28879



Codes/Standards

ASME A112.19.1/CSA B45.2

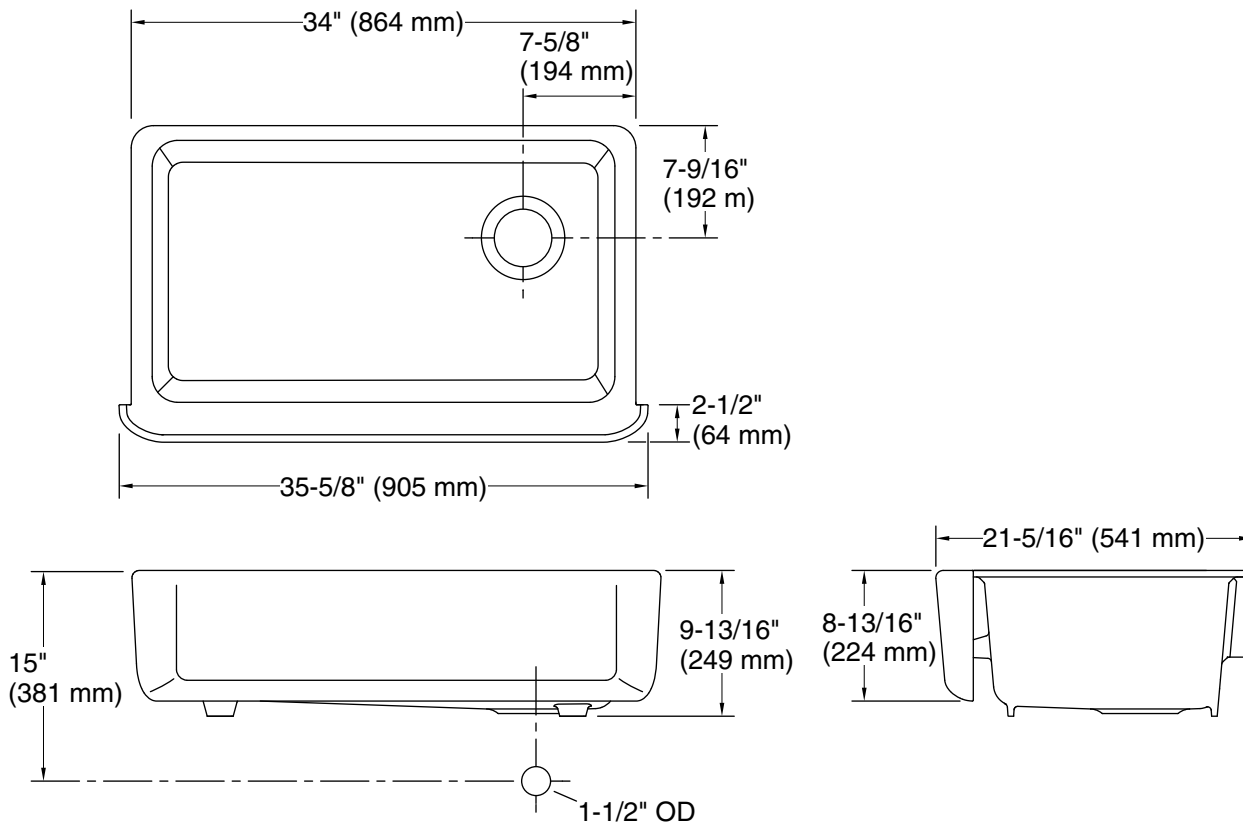
KOHLER® Enameled Cast Iron Kitchen Sink Lifetime Limited Warranty

See website for detailed warranty information.

Available Colors/Finishes

Color tiles intended for reference only.

Color	Code	Description
	0	White
	FF	Sea Salt™
	96	Biscuit
	NY	Dune
	95	Ice™ Grey
	K4	Cashmere
	FT	Basalt
	58	Thunder™ Grey
	7	Black Black™
	GRL	Grey Lavender
	DGB	Indigo Blue
	PLM	Black Plum



Technical Information

All product dimensions are nominal.

- Bowl configuration: Single
- Installation: Undermount
- Min. base cabinet width: 36" (914 mm)
- Bowl area (Only): Length: 30-1/4" (769 mm)
Width: 15-13/16" (402 mm)
Bowl depth: 9" (229 mm)
Water depth: 9" (229 mm)
- Drain hole: 3-7/8" (98 mm)
- Template: Undermount, 1398641-7, required, included
Cabinet, 1157001, required, included

Notes

Install this product according to the installation instructions.