

COPPER TUBE CUSHION CLAMP

» 517-i SERIES

SPECIFICATION

Sioux Chief 517-i series copper tube cushion clamp shall be used to secure copper tubing through resilient cushions with steel clamps and 1 $\frac{5}{8}$ " wide channel. Cushion clamp assemblies shall allow:

- Pipe and tube to be intermixed on variable centers to conserve space
- For addition or removal of tube or pipe without having to unclamp other elements
- Tubes, pipes and hoses to be stacked and installed back-to-back without removing lines from supply or receiver.

Cushions shall be of resilient material resistant to oils, hydraulic fluids, grease, fuels, common solvents, dilute bases and mineral acids and not degraded at operating temperatures of 275°F.

INSTALLATION

Entire clamp assembly can be assembled or disassembled with a single hand or power wrench. Clamps should be spaced not more than a maximum of 5-feet. Where severe vibration is present, space clamps every 2.5-feet.

TEMPERATURE RATINGS

Minimum: -65°F / -53.8°C

Maximum: 275°F / 135°C

MATERIALS

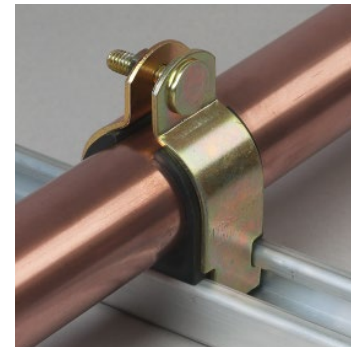
Cushion/isolator: Thermoplastic elastomer

Steel clamp: 1008-1010 carbon steel with projection welded threaded studs and nylon insert locknut

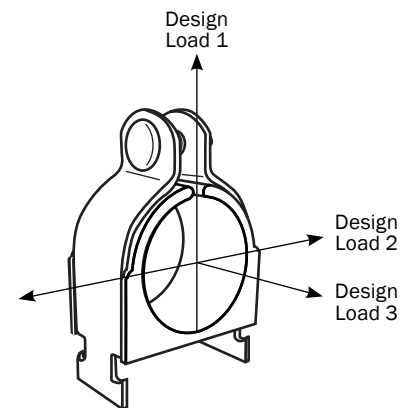
All metal components have a Tri-Valent (non-hex) plating.

DIMENSIONS

Item No.	Size (CTS)	O.D.	Width	Bolt Size	Ga.	Design Load 1	Design Load 2	Design Load 3
517-i062PK2	1/2"	0.625	1 1/4"	1/4 - 20 x 3/4"	14	400 lbs.	50 lbs.	50 lbs.
517-i087PK2	3/4"	0.875	1 1/4"	1/4 - 20 x 7/8"	14	600 lbs.	75 lbs.	75 lbs.
517-i112PK2	1"	1.125	1 1/4"	1/4 - 20 x 7/8"	12	600 lbs.	75 lbs.	75 lbs.
517-i137PK2	1 1/4"	1.375	1 1/4"	5/16 - 18 x 1 1/4"	12	600 lbs.	75 lbs.	75 lbs.
517-i162PK2	1 1/2"	1.625	1 1/4"	5/16 - 18 x 1 1/4"	11	600 lbs.	75 lbs.	75 lbs.
517-i212PK2	2"	2.125	1 1/4"	5/16 - 18 x 1 1/4"	11	800 lbs.	125 lbs.	125 lbs.



517-i Series



Made in USA

Create Item Number

517-iA

e.g. 517-i087PK2: 3/4" copper tube cushion clamp

NOMINAL TUBE SIZE A

062PK2 = 1/2"

087PK2 = 3/4"

112PK2 = 1"

137PK2 = 1 1/4"

162PK2 = 1 1/2"

212PK2 = 2"