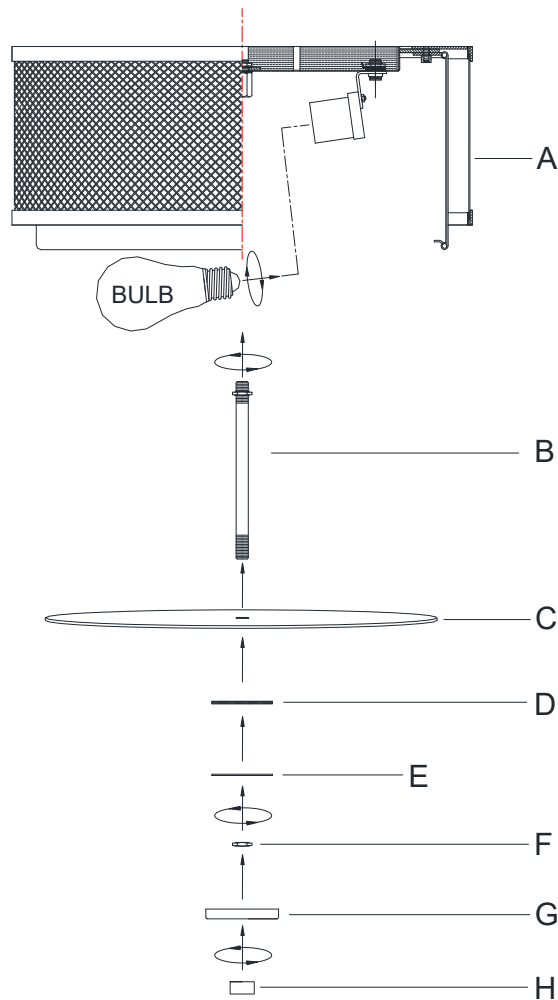


# ASSEMBLY INSTRUCTIONS

ITEM NO.: M60018

---



B → A → Bulb → C → D → E → F → G → H

1. Carefully unpack and identify all parts referring to illustration for parts identification.
2. Turn the power to the installation point **OFF**.
3. Thread the top end of stem (B) into the coupling at the bottom of fixture body (A). Hand tightens until snug.
4. Referring to the installation instruction with the product for the wiring and installation.
5. Install proper bulbs (not provided) to each socket referring to the markings and / or labels on the fixture for maximum wattage.
6. Adjust the hex nut on the stem (B) in place and carefully pass the center holes of glass (C), rubber washer (D) and flat washer (E) through stem (B), and secure with hex nut (F). Hand tightens until snug.
7. Place the cap (G) over the stem (B), secure with the finial (H).
8. Retain power to the installation point ON and retain this sheet for future reference.