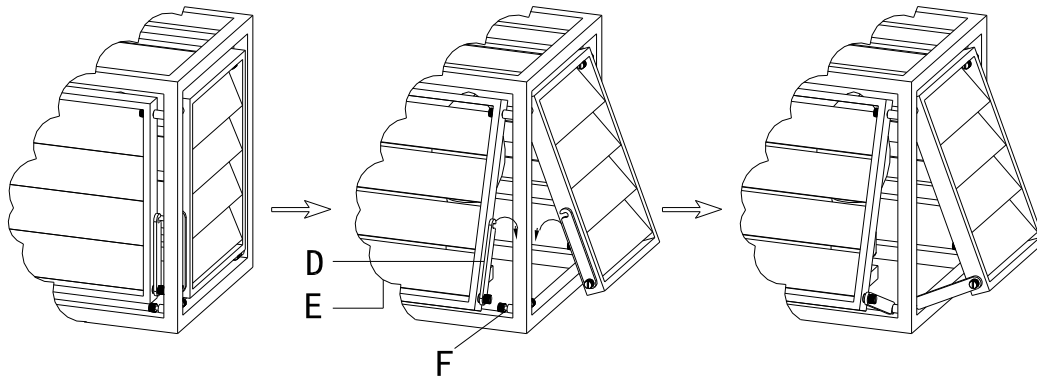
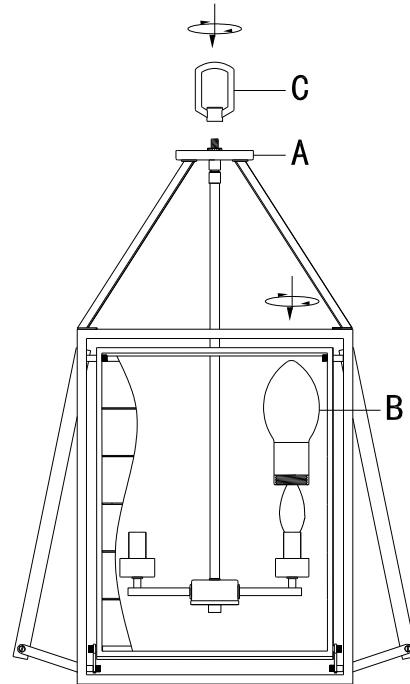




ASSEMBLY INSTRUCTIONS

ITEM NO.: 7-9341-4-162



C → A → B → D → E → F

1. Carefully unpack and identify all parts referring to illustration for parts identification.
2. Turn the power to the installation point OFF.
3. Install the loop (C) into the nipple of the top assembly (A).
4. Open the sash (E) Loosen the nut on the handle (D) and turn the handle to the appropriate position to buckle in the slot (F)
5. Screw the glass Shade (B) onto the base until it is tight.
6. Install proper bulbs (not provided) to the sockets referring to the marking and/or labels on the fixture for maximum wattage.
7. Restore the power to the installation point ON.
8. Assembly is completely. Retain this sheet for future reference.