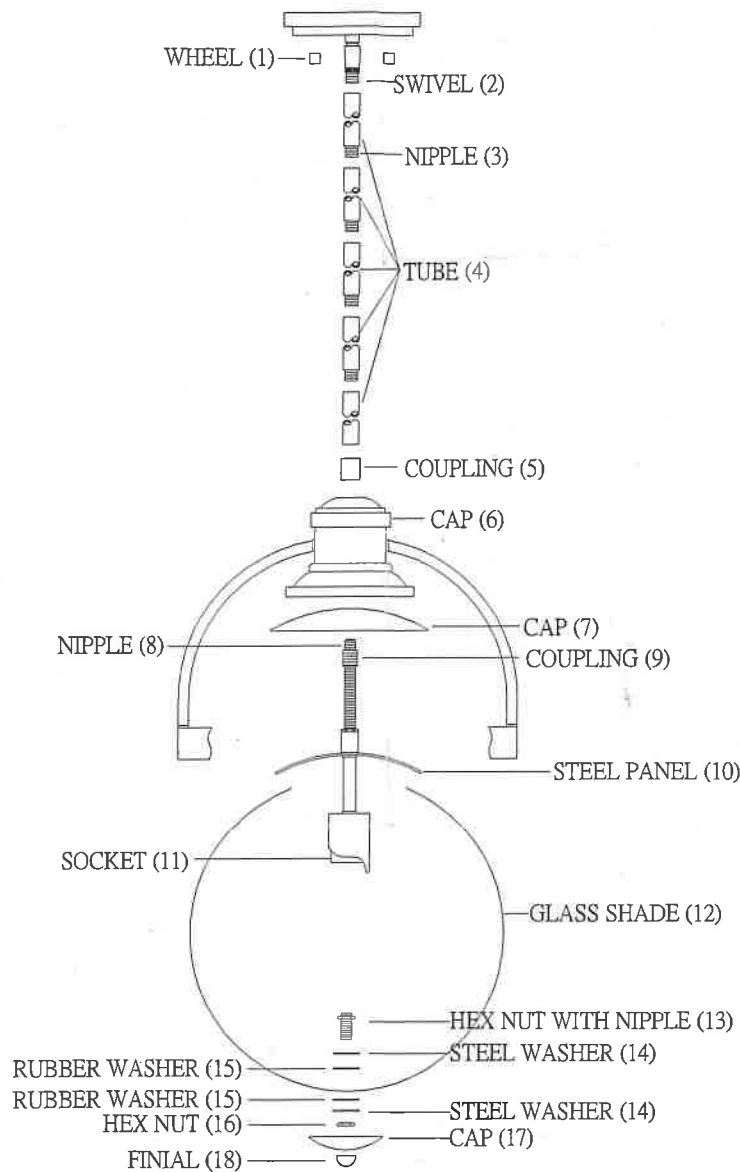




ITEM NO: 7-3102-1-322

7-3102-1-SN

LIGHTING



INSTALLATION INSTRUCTIONS

1. Carefully remove the fixture out of the carton, and check that all parts are included referring to the above illustration. Make sure not to misplace any parts that are needed for the installation;
2. Assemble the tube (4) together using the nipple (3), then attach the bottom end of tube (4) onto the nipple (8) tightly, then secure the swivel (2) onto the tube (4).
3. Install the steel washer (14), rubber washer (15), glass shade (12), rubber washer (15) and steel washer (14) onto hex nut with nipple (13), then secure them with hex nut (16).
4. Install the cap (17) onto hex nut with nipple (13), then secure them with finial (18).
5. Install the bulb into socket (11).
6. Install the glass shade (12) onto steel panel (10), then install the cap (7) and cap (6) onto glass shade (12), then secure coupling (5) with coupling (9).
7. Fixture is ready for lamping and installation.