



**Medley®**

48" x 34" Vikrell® shower with Aging in Place backerboards, center drain  
**72410106**



**Features**

- 3-1/8" (79 mm) threshold
- Tongue-and-groove modular design allows for easy installation during any phase of construction
- Smooth wall design with molded-in shelves and shaving ledges
- Easy-to-clean, durable high-gloss finish
- Factory-installed Aging in Place backerboards for future grab bar installation

**Material**

- Compression molded from our exclusive solid Vikrell® material

**Installation**

- Alcove
- Center drain
- Caulk-free installation

**Recommended Products/Accessories**

- 1500D-48 Framed pivot shower door
- 5475-48 Frameless sliding shower door
- 5970-48 Framed sliding shower door
- 5975-48 Framed sliding shower door
- 5976-48 Framed sliding shower door
- 547808-48 Frameless sliding shower door
- 581075-48 Frameless sliding shower door
- 80001012 12" straight grab bar
- 80001018 18" straight grab bar
- 80001036 36" straight grab bar
- 72186104 Freestanding bath seat
- K-23726 Drain treatment
- K-23733 Vikrell® cleaner

**Included Components**

- 72321100 48" x 34" Vikrell® shower base, center drain
- 72412106 48" Vikrell® shower back wall with Aging in Place backerboards
- 72405106 34" Vikrell® shower end wall set with Aging in Place backerboards



**Codes/Standards**


- CSA B45.5/IAPMO Z124
- ASTM E162
- ASTM E662
- HUD, UM Bulletin 73
- IAPMO Certification

**STERLING® Vikrell® or Acrylic Baths and Shower Bases Ten-Year Limited Warranty**

See website for detailed warranty information.

**Available Colors/Finishes**

*Color tiles intended for reference only.*

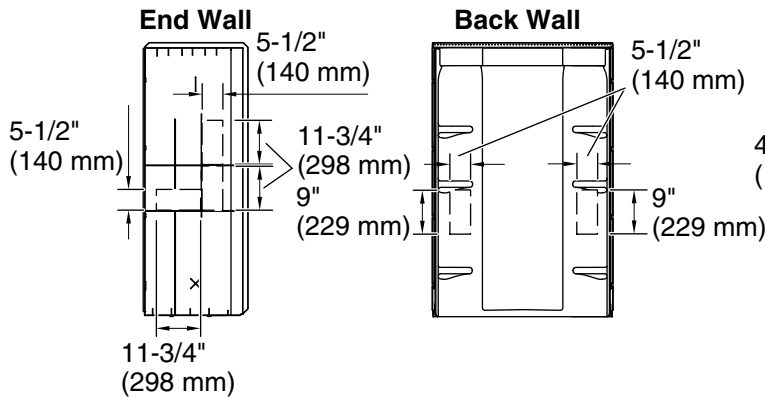
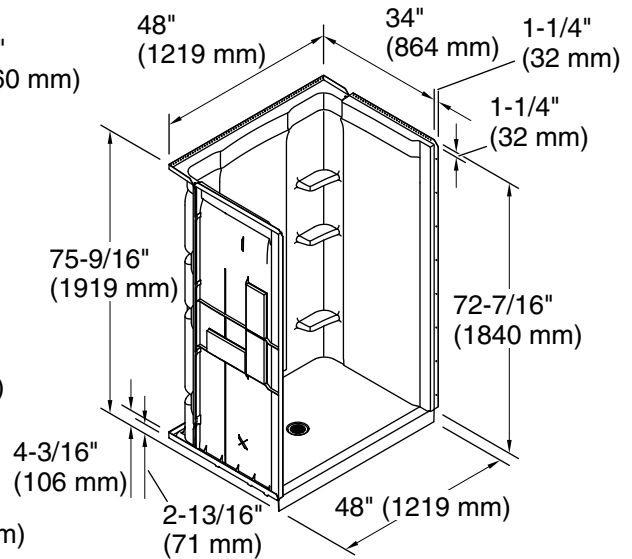
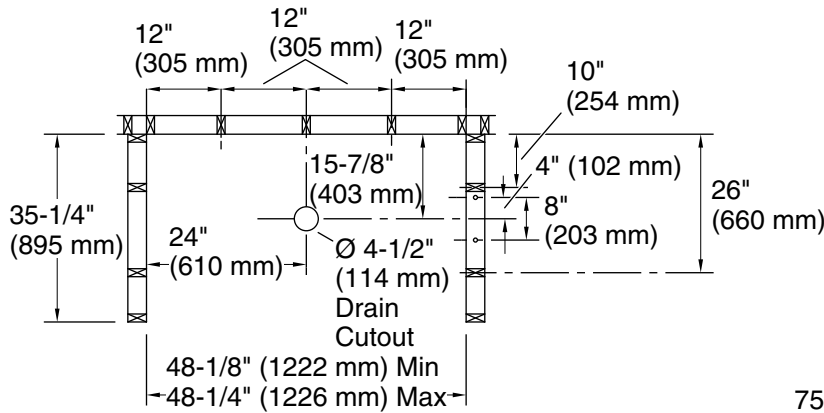
Color	Code	Description
	0	White

1-800-STERLING (1-800-783-7546)

Kohler Co. reserves the right to make revisions without notice to product specifications.

For the most current Specification Sheet, go to [www.sterlingplumbing.com](http://www.sterlingplumbing.com).

2-12-2024 22:14 - US



**Note:** Right and left end walls are the same, only mirrored.

□ □ Backer board locations

**Technical Information**

All product dimensions are nominal.

Drain location:	Center
Weight:	120 lbs (54.4 kg)
Minimum flat for door:	2-7/16" (62 mm)
Maximum door height:	70-3/4" (1797 mm)
Maximum door width:	45-5/8" (1159 mm)

**Notes**

Install this product according to the installation instructions.

Studs should be positioned roughly as shown.

Double studing is recommended for pivot shower door installations.

Attach grab bars at the specified backer board locations only.