



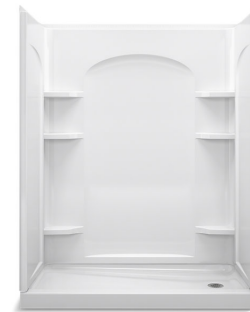
Features

- Alcove installation
- 4" threshold
- Solid Vikrell material
- Durable high-gloss finish
- Right drain
- Three-piece, tongue-and-groove walls with snap-together installation
- Some caulk required
- Convenient shelves, shaving ledge/footrest

Included Components

Product consists of:

- 72171120 60" x 30" Shower Receptor
- 72232100 60" Shower Back Wall
- 72175100 60" x 30" Shower End Wall Set



Codes/Standards



- CSA B45.5/IAPMO Z124
- ASTM E162
- ASTM E662
- Greenguard UL 2818 - Gold
- HUD, UM Bulletin 73

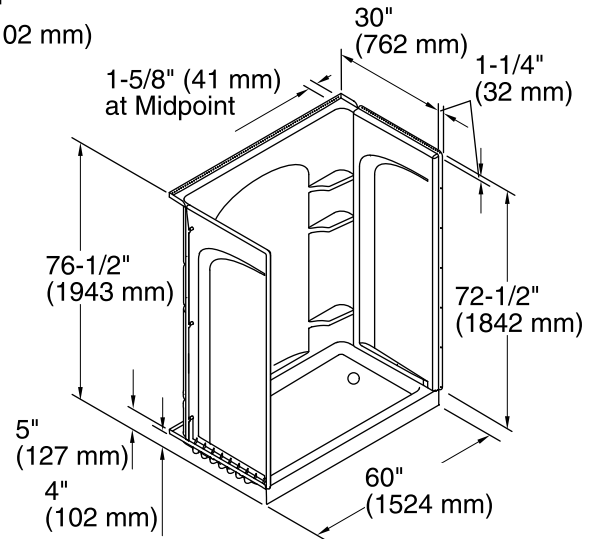
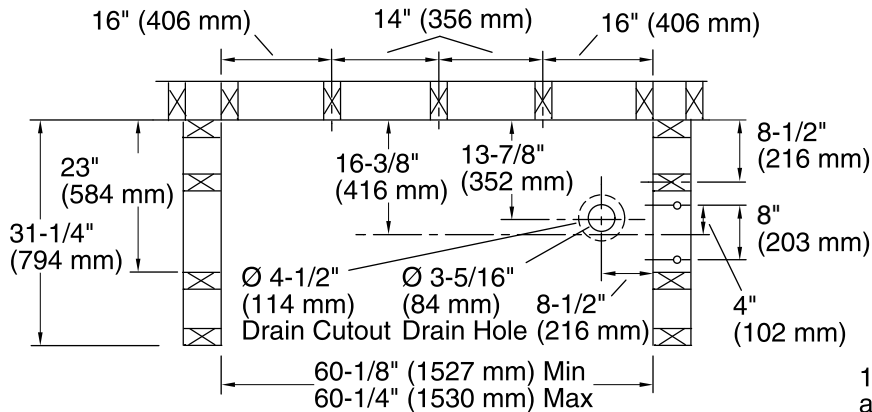
Warranty – Bathing Fixtures (and) Kitchen and Utility Sinks Made of Solid Vikrell® Material

See website for detailed warranty information.

Available Colors/Finishes

Color tiles intended for reference only.

Color	Code	Description
	0	White
	96	KOHLER Biscuit



Technical Information

All product dimensions are nominal.
 Installation: Three-wall alcove
 Drain location: Right
 Minimum flat for door: 3" (76 mm)
 Threshold height: 4" (102 mm)
 Maximum door height: 70-1/2" (1791 mm)
 Maximum door width: 56-5/8" (1438 mm)

Notes

Install this product according to the installation instructions.
 Receptor cannot be installed without the wall surround.
 Studs should be positioned roughly as shown.
 Double studding is recommended for pivot shower door installations.