



# Traverse®

60" x 32" AFD bath/shower  
71520122



## Features

- Tongue-and-groove modular design allows for easy installation during any phase of construction.
- Modern subway tile design.
- Full-length shelf provides generous storage.
- Easy-to-clean, durable high-gloss finish.

## Material

- Compression molded from our exclusive solid Vikrell® material.

## Installation

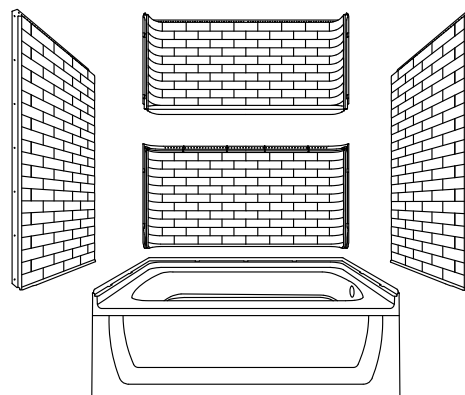
- Pro4™ installation system features a two-piece back wall design, enabling one-person handling and installation.
- Alcove.
- Caulk-free installation.
- Above-floor drain (AFD) rough-in.
- Right drain.

## Recommended Products/Accessories

- K-23726 Drain treatment
- K-23733 Vikrell® cleaner

## Included Components

- Product consists of:
- 71121122
  - 71524100



## Codes/Standards



- CSA B45.5/IAPMO Z124
- ASTM E162
- ASTM E662
- HUD, UM Bulletin 73

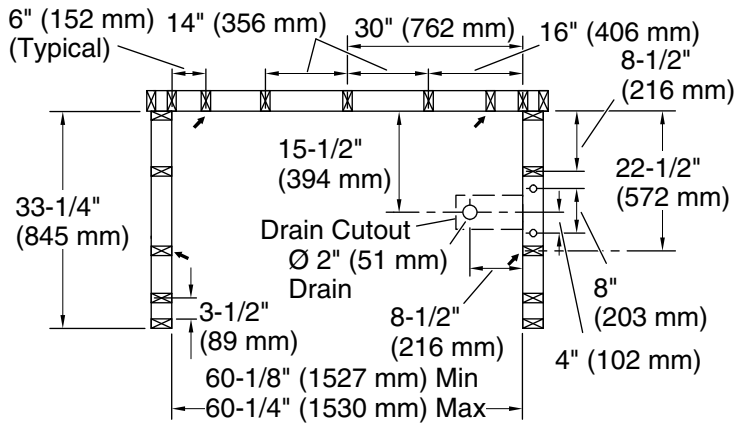
## STERLING® Vikrell® or Acrylic Baths and Shower Bases Ten-Year Limited Warranty

See website for detailed warranty information.

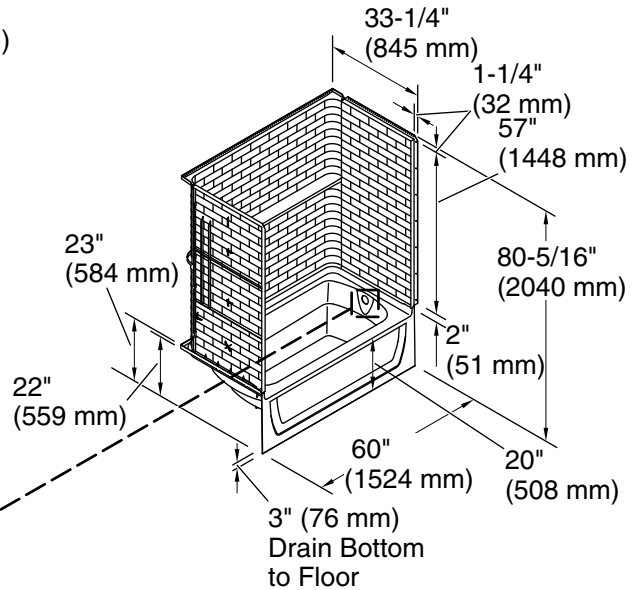
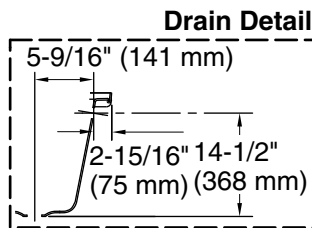
## Available Colors/Finishes

*Color tiles intended for reference only.*

| Color   | Code | Description    |
|---|------|----------------|
|  | 0    | White          |
|  | 96   | KOHLER Biscuit |



Recommended Support Clip Location (4 Total)



**Technical Information**

All product dimensions are nominal.

Installation: Three-wall alcove  
 Maximum door height: 58-3/4" (1492 mm)  
 Maximum door width: 57-5/8" (1464 mm)

**Notes**

Install this product according to the installation instructions.  
 Studs should be positioned roughly as shown.  
 Double studding is recommended for pivot shower door installations.