

STERLING®

A KOHLER COMPANY

ENSEMBLE™

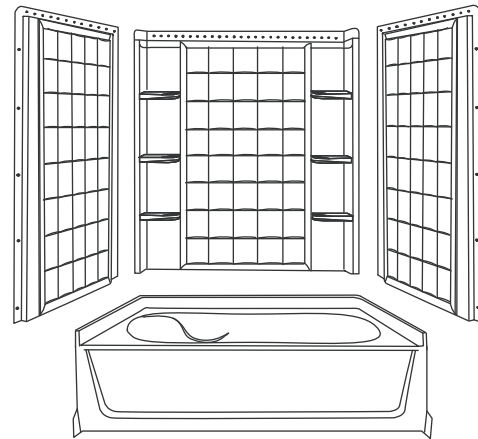
Features

- Compression molded from our exclusive solid Vikrell® material
- Gentle sloping back, neck, and armrest in bath design
- Bath and integral apron eliminates installation step
- Tongue-and-groove 4-piece modular design allows for easy "snap together" installation
- Durable high-gloss finish
- 10-year consumer/3-year commercial limited warranty
- 3" (76 mm) wainscot/tile ledge
- 16" (406 mm) bath depth (floor to top of threshold)
- 60-1/4" (1530 mm) x 43-1/2" (1105 mm) x 73-1/4" (1861 mm) complete unit rough-in dimensions include flange
- 60" (1524 mm) x 42" (1067 mm) x 72" (1829 mm) complete unit finished dimensions

42" (1067 mm) OVAL BATH AND WALL SURROUND

71110110

ALSO 71110120, 71110310, 71110320



Codes/Standards Applicable

Specified model meets or exceeds the following:

- ASTM E162
- ASTM E662
- CSA B45.5/IAPMO Z124
- HUD, UM Bulletin 73A
- NAHB Research Foundation, Inc.

Colors/Finishes

- 0: White
- Other: Refer to Price Book for additional colors/finishes

Specified Model

Model	Complete Unit Description	Colors/Finishes	
71110110	42" (1067 mm) oval bath and wall surround, left drain	<input type="checkbox"/> 0	<input type="checkbox"/> Other_____
71110120	42" (1067 mm) oval bath and wall surround, right drain (shown)	<input type="checkbox"/> 0	<input type="checkbox"/> Other_____
71110310	42" (1067 mm) oval bath and wall surround, left drain - 3 pack	<input type="checkbox"/> 0	<input type="checkbox"/> Other_____
71110320	42" (1067 mm) oval bath and wall surround, right drain - 3 pack	<input type="checkbox"/> 0	<input type="checkbox"/> Other_____
Model	Wall Component Description	Colors/Finishes	
71114100	Complete wall set	<input type="checkbox"/> 0	<input type="checkbox"/> Other_____

ENSEMBLE™

Technical Information

Fixture*:	
Basin area:	
Bathing well	40" (1016 mm) x 27" (686 mm)
Top area	52" (1321 mm) x 35" (889 mm)
To overflow:	
Water depth	11" (279 mm)
Capacity	55 gal (208.2 L)
* Approximate measurements for comparison only.	

Model	Door width	Door maximum height
All	58-1/2" (1486 mm)	55-3/4" (1416 mm)

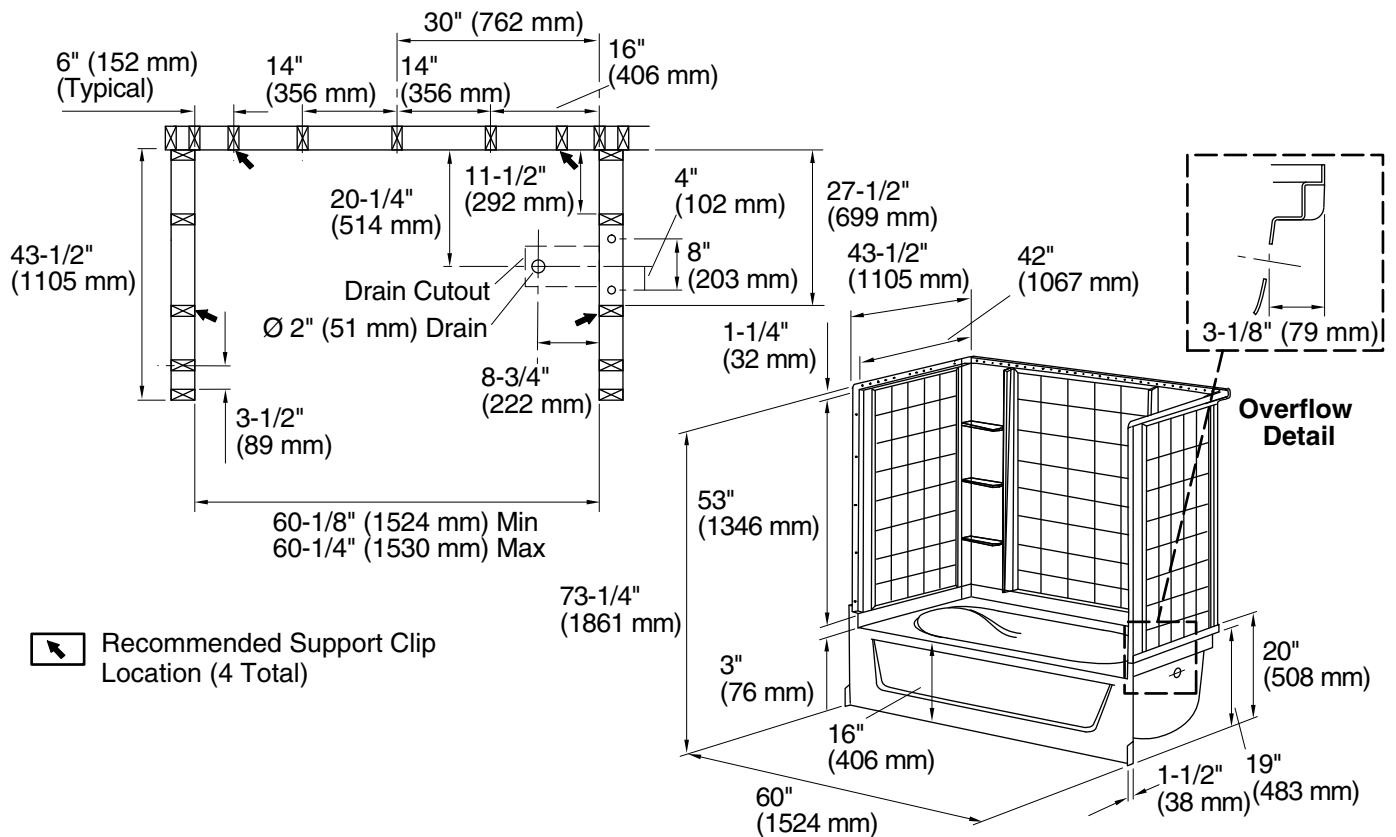
Installation Notes

Install this product according to the installation guide.

Size the drain cutout to fit the drain assembly that will be used.

End stud positioning is critical.

Studs should be positioned roughly as shown.



Product Diagram

ENSEMBLE™ 42" (1067 mm) OVAL BATH AND WALL SURROUND