

# WhisperControls®

CONDENSATION CONTROL

FV-WCCS2  
Adjustable Condensation Sensor  
with Light Control

ENGLISH  
LANGUAGE  
MANUAL

## (A.) ABOUT WhisperControl

WhisperControl is intended for condensation problem areas of a home, such as near the shower or bath. If condensation is a problem or is suspected to be a problem, simply replace your existing fan switch with WhisperControl. For WhisperControl to sense condensation, the room will need to show visible signs of wetness attaching to surfaces, such as steam on walls / mirrors / fixtures. Visible steam in the air is not the problem, the problem occurs when moisture in the air becomes too heavy and the air cannot support the moisture. The moisture then moves to surfaces (this is the dew point), triggering the WhisperControl sensors. The remarkable WhisperControl product is constantly checking the air for condensation. At the right time, WhisperControl will turn ON your fan and run the fan to clear the room. NOTE: A good quality fan properly sized for the room is essential to the successful removal of moisture from any room. WhisperControl only detects condensation, it cannot stop it. WhisperControl relies on a closed room and a quality fan to properly detect condensation and dry a room.

## (B.) INSTALLATION INSTRUCTIONS

### CAUTION

1. Use only a 120V AC 60Hz power supply connection.
2. For indoor use only.
3. Do not exceed WhisperControl's maximum electrical load ratings, as indicated on the product label.
4. Must be installed and used in accordance with your local electrical codes.

1

5. If a bare copper or green ground connection is not available in the wall box, contact a licensed electrician for installation.
6. For use with permanently installed 120V AC powered fans only.
7. Use only #14 or #12 copper wire connections.

### WARNING

Turn OFF circuit breaker or remove fuse(s) and test that power is OFF before wiring. Wiring WhisperControl live can cause serious risk of electrical shock and/or damage the control, voiding the warranty. FOR SAFETY, THIS PRODUCT MUST BE INSTALLED IN A GROUNDED WALL ENCLOSURE. If you are unfamiliar with methods of installing electrical wiring, secure the services of a qualified licensed electrician. USE ONLY COPPER WIRE, DO NOT use aluminum wire with this device.

### IMPORTANT

Read each step carefully and perform in sequence. WhisperControl will not work or will become damaged if wires are connected incorrectly. To prevent damage, connect WhisperControl exactly as shown in the installation diagrams, otherwise warranty will be voided. Prior to wiring, straighten or clip ends of wire such that ends of each wire are straight (if using WhisperControl to replace an existing switch). Strip wire insulation at the end of each wire to expose 5/8 inch (16 mm) of copper. Where instructed to make a connection, twist ends of stripped wires together and twist a proper connector clockwise until secure.

2

## (C.) INSTALLATION STEPS

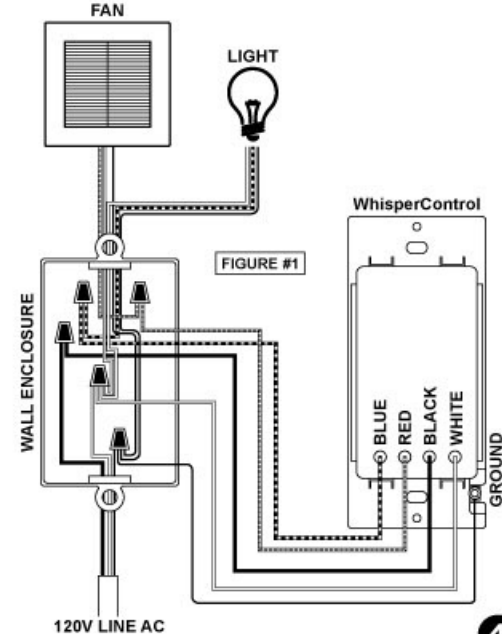
1. **WARNING**  
To avoid fire or risk of electrical shock, turn OFF power at circuit breaker or disconnect fuse. Test the power is OFF before you begin wiring.
2. **BEFORE YOU MOUNT THE CONTROL** (new installation) Install WhisperControl in a 3½ inch deep single-gang or multi-gang electrical wall enclosure. OR (replacement of existing switch) remove existing face plate and switch device being replaced.
3. **ATTACH POWER WIRE, LIGHT WIRE, AND FAN WIRE**  
Attach 120v AC 60Hz 3-wire power (Hot / Neutral / Ground) inside the wall enclosure with a minimum of 6 inch leads. Attach fan three wire leads inside the wall enclosure also with minimum 6 inch leads. If an existing power connection is used in an existing wall enclosure you must confirm proper AC 120V Hot / Neutral / Ground are available.
4. **CONNECT WIRING**  
General instructions for all configurations: Make sure the wall enclosure, fan, light, and WhisperControl are properly grounded (See FIGURE #1).

Make sure ground wire is securely fastened. Tighten all ground screws or wire nuts securely. Use the proper sized wire nut for #14 or #12 wire. Make sure to strip back the copper wire 5/8 inch and twist wire and nut clockwise.

3

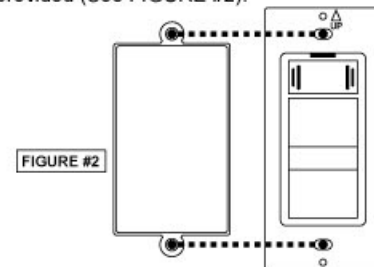
## (D.) MOUNTING IN WALL ENCLOSURE

1. Attach wires (as shown in FIGURE #1).

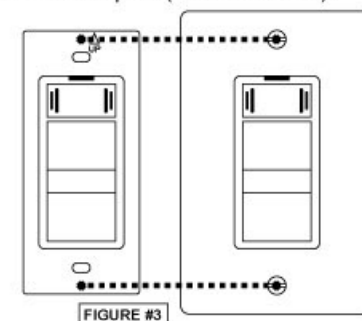


4

2. Tuck wires into wall enclosure and fasten WhisperControl to the wall enclosure with the two screws provided (See FIGURE #2).

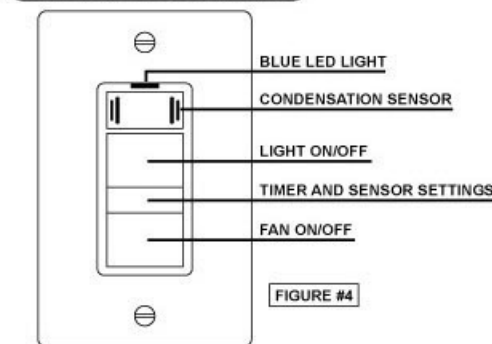


3. Attach the face plate (See FIGURE #3).



5

## (E.) CONTROL FUNCTIONS

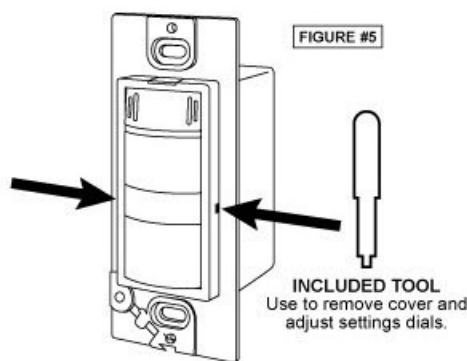


- Blue LED Light:** Lets you know when your fan is on (especially useful for fans with low sound levels).
- Condensation Sensor:** Senses moisture in the room and turns your fan ON and OFF automatically.
- Light ON/OFF:** Turns light ON and OFF.
- Timer and Sensor Settings:** Minutes per hour (MPH) timer (left) and moisture sensitivity (right) settings (hidden behind a removable cover – see pages 7-8 for details)
- Fan ON/OFF:** Turns 20-minute countdown timer ON and OFF (can be used to temporarily override condensation sensor).

6

## (F.) CHANGING THE TIMER SETTINGS

By default, WhisperControl comes with the moisture sensitivity set to average levels, and the MPH timer set to 0 minutes. To change the settings, remove the "Timer and Sensor Settings" cover by taking off the face plate and then inserting the end of the included tool (or a non-metal tool of your own) into the two holes on either side of the control (see FIGURE #5). Use the included tool to turn the settings dials. The MPH timer can be set between 0-60 minutes. Moisture sensitivity can be set at low, average, or high sensitivity. Once you change a setting, the changes will take effect after the next ON/OFF cycle, so it's recommended that you turn your fan ON then OFF after you make a change to the settings.



7

## (G.) MINUTES PER HOUR (MPH) TIMER

This timer runs your fan for a selected amount of time every hour, to help ensure good indoor air quality (it's also designed to help you more easily comply with indoor air quality standards). For example, set to "0", the MPH timer will never turn on. Set to "10", the MPH timer will turn your fan on 10 minutes every hour. Set to "60", the MPH timer will run your fan all the time.

## (H.) MOISTURE SENSITIVITY

The empty water drop indicates low moisture sensitivity, the half-full drop average sensitivity, and the full drop high sensitivity. In a very moist environment, lower sensitivity can be needed to avoid excessive fan run-time. In a very dry environment, higher sensitivity can be needed for the sensor to detect moisture. When WhisperControl senses condensation, the blue LED will pulse slowly. At any time, you can manually override the sensor and turn the fan ON or OFF just as with a common switch.

## (I.) TESTING WhisperControl

1. After you have completely installed WhisperControl, selected your timer and sensor settings, and attached the face plate on the control, you can turn on the breaker to apply power.

8

**WARNING:** If the breaker trips or the fuse blows, STOP and call a qualified electrician to investigate the problem. Turn the breaker OFF until the problem has been corrected.

2. Press the Fan ON/OFF button to see the fan turn ON, press the button again to see the fan turn OFF. Do the same for the Light ON/OFF button.
3. With the fan OFF, you can test the sensor by blowing into the sensor as if you were blowing on a mirror to steam it. Use two or three puffs of breath, then wait 10 seconds and the fan will come ON automatically. You will see the blue LED pulse slowly; this shows you WhisperControl is sensing condensation. Afterward, you can manually turn OFF the fan or just allow the 20-minute timer to run.
4. **Sensor Shut-Off:** To turn off the sensor and make WhisperControl just a manual switch with an adjustable MPH timer, press and hold down the fan ON/OFF button for 15 seconds. To turn the sensor back on, do so again.

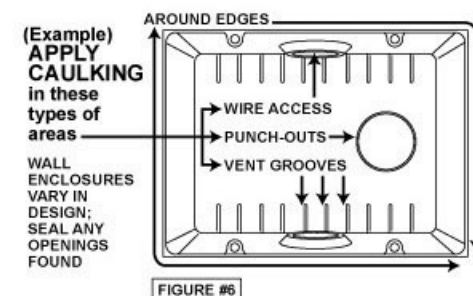
### ELECTRICAL SHOCK WARNING:

WhisperControl is an automatic ON device. At no time should a person work on the fan/light or any WhisperControl connected appliance without the electrical circuit breaker or fuse switched OFF. WhisperControl could turn ON the attached device by the unintended presence of condensation while the work is being performed. Always disconnect the AC power before any work is done to any part of the circuit WhisperControl is connected to. If you do not understand this warning, seek the services of a qualified licensed electrician.

9

## (J.) AIR DRAFTS IN WALL ENCLOSURE

Older homes may experience air flowing (drafts) from the inside wall cavity into or out of the wall enclosure depending on the draft situation. If your WhisperControl is experiencing problems sensing condensation, sealing any enclosure openings is needed. The wall enclosure is easy to seal with standard painter's caulking and a caulking gun. To begin you must DISCONNECT all electrical power to the control before sealing the openings. Unscrew all box switches and pull them forward to allow access to the back of the enclosure. Apply caulking into all openings in the enclosure, even the very small ones. Seal every opening and around electrical wires at their entering point. Also seal the perimeter around the enclosure between the wall board and the enclosure. This will stop heat loss and allow WhisperControl to sense the room and not the drafts in the walls. See FIGURE #6:



10

## (K.) TWO-YEAR LIMITED WARRANTY

GTR Technologies, Inc. warrants to the original consumer purchaser of its products that such products will be free from defects in materials & workmanship for a period of two years from the date of original purchase. There are no other warranties, express or implied, including but not limited to, implied warranties of merchantability or fitness for a particular purpose. During this two-year period, GTR Technologies, Inc. will, at its option, repair or replace, without charge, any product or part which is found to be defective under normal use & service. This warranty does not extend to fluorescent lamp starters & tubes. This warranty does not cover (a) normal maintenance & service or (b) any maintenance or repair, faulty installation or installation contrary to recommended installation instructions. The duration of any implied warranty is limited to the two-year period as specified for the express warranty. Some areas do not allow limitation on how long an implied warranty lasts, so the above limitation may not apply to you. GTR Technologies, Inc.'s obligation to repair or replace, at GTR Technologies, Inc.'s option, shall be the purchaser's sole & exclusive remedy under this warranty. GTR Technologies, Inc. shall not be liable for incidental, consequential, or special damages arising out of or in connection with product use or performance. Some areas do not allow the exclusion or limitation of incidental or consequential damages, so the above limitation may not apply to you. This warranty gives you specific legal rights, & you may also have other rights, which vary from area to area. This warranty supersedes all prior warranties. To qualify for warranty service, you must (a) notify GTR Technologies, Inc. at the address stated below or via our website at [www.DewStop.com](http://www.DewStop.com), (b) give the model number & part number identification, & (c) describe the nature or any defect in the product or part. At the time of requesting warranty service, you must present evidence of the original purchase date.

11