

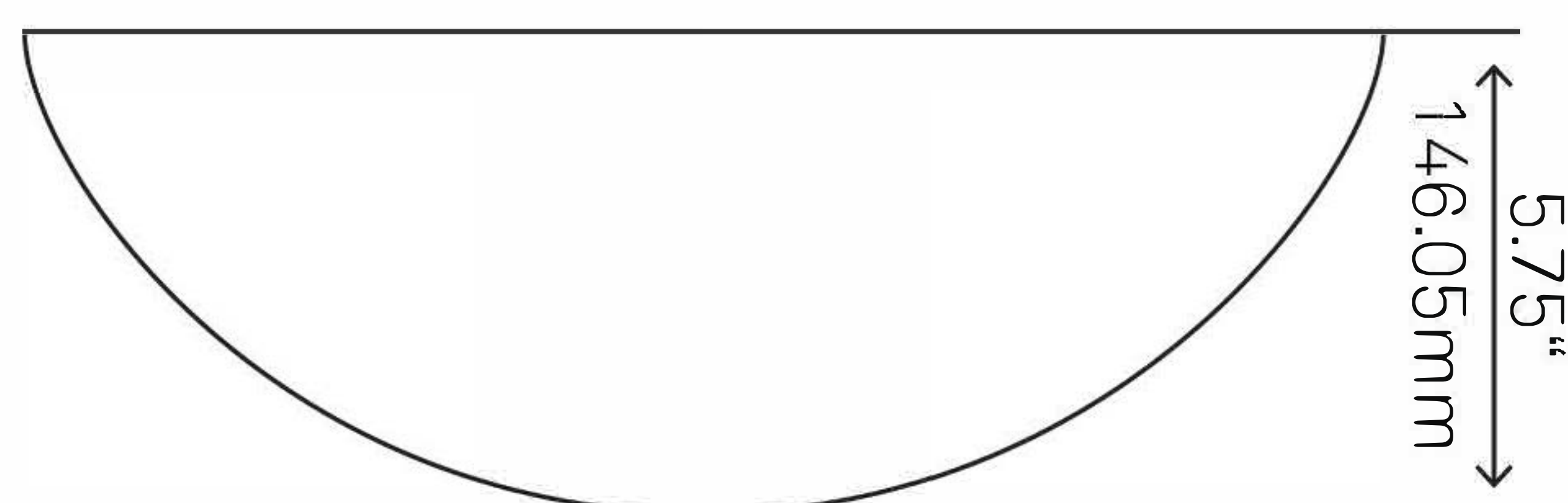
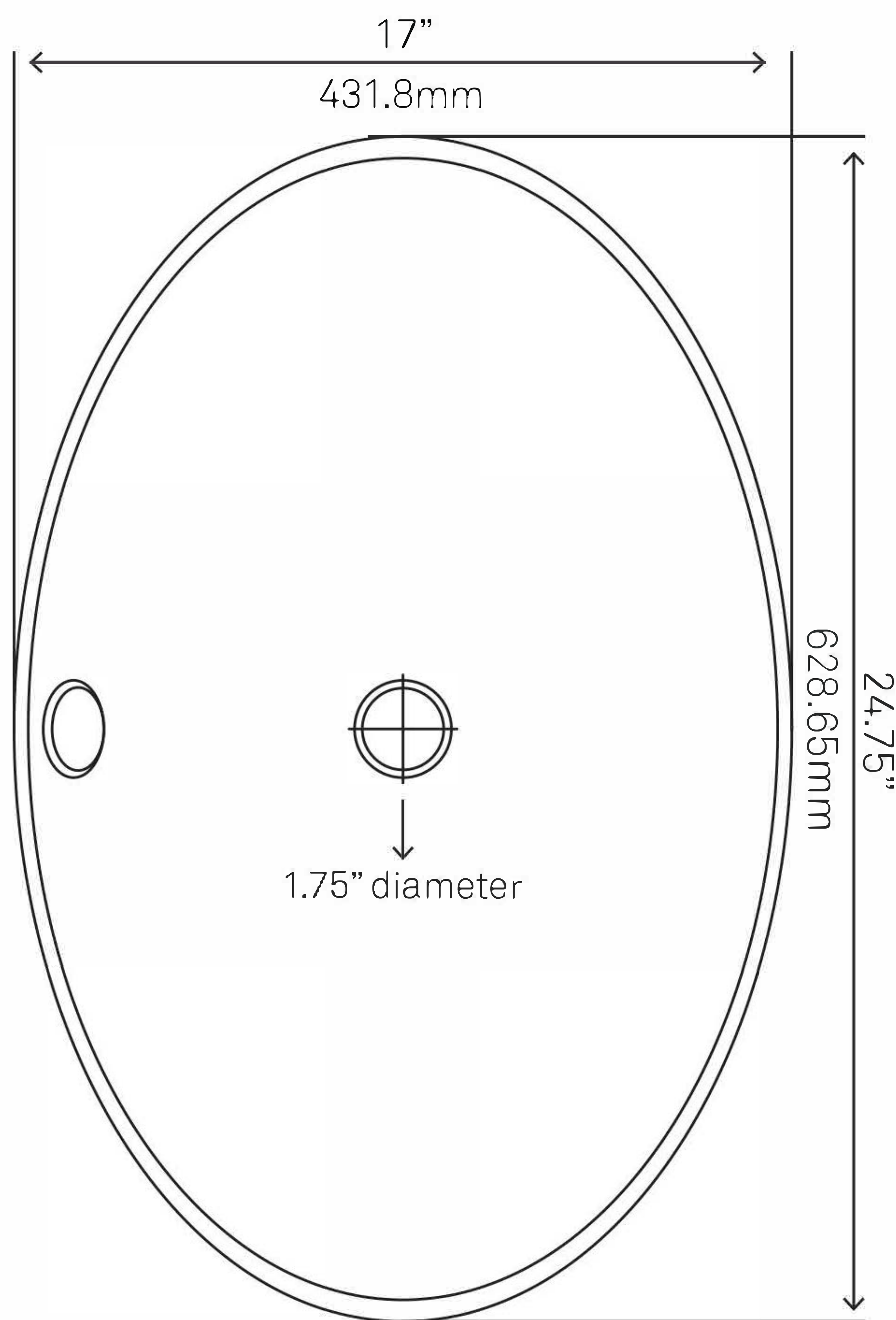


TP-V07W BIANCO UOVO Porcelain Vessel Sink w/ Overflow



Requested By:

Specific Features:



STANDARD SPECIFICATIONS:

- Oval white glossy porcelain vessel sink
- Easy to clean scratch resistant surface
- Non-porous material
- Designed for above counter installation
- Standard U.S. plumbing overflow connections
- Inner dimensions 16 x 23.75 x 4-inches tall
- Has overflow
- No mounting ring necessary

WARRANTY:

Limited lifetime warranty

- See www.NovattoInc.com for details

COORDINATING ACCESSORIES:

- PUD-BN-O/CH-O/ORB-0 pop-up drain
- Glacier Ice Restoration and Sealer kit

NOTES

Novatto reserves the right (1) to make changes in specifications and materials, and (2) to change or discontinue models, both without notice or obligation. Dimensions are for reference only, see www.NovattoInc.com for finish options and product availability.

Novatto Inc
TOLL FREE 844.404.4242
www.NovattoInc.com



**GF-136CH ECLIPSE
Waterfall Vessel Faucet, Chrome**

Requested By: _____

Specific Features: _____

STANDARD SPECIFICATIONS:

- Waterfall vessel faucet with chrome finish
- Single handle control
- Solid brass construction
- High pressure ceramic cartridge
- Single hole deck mount installation
- Spout reach: 3.75-inches
- Spout height: 8-inches
- 1.5-inch mounting hole diameter
- cUPC and AB1953 low lead compliant
- ASME A112.18.1-1-2011/CSA B125.1-11
- NSF 61 and NSF 372 certified
- EPA WaterSense® available

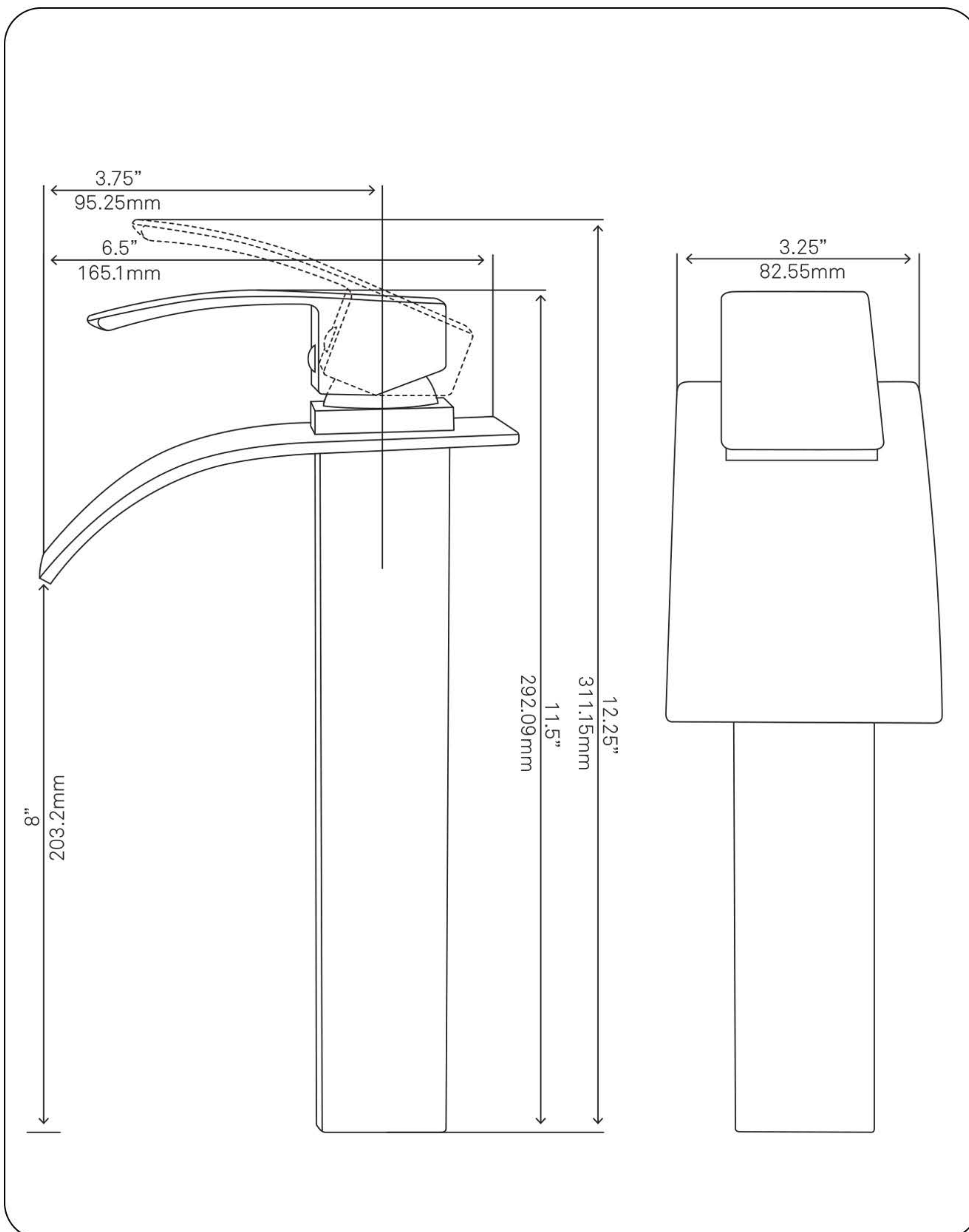
WARRANTY:

- Limited lifetime warranty
- See www.NovattoInc.com for details

COORDINATING ACCESSORIES:

- PUD-CH pop-up drain
- MR-001CH mounting ring
- Glacier Ice Restoration and Sealer kit

NOTES



Novatto reserves the right (1) to make changes in specifications and materials, and (2) to change or discontinue models, both without notice or obligation. Dimensions are for reference only, see www.NovattoInc.com for finish options and product availability.

Novatto Inc
TOLL FREE 844.404.4242
www.NovattoInc.com



PUD-CH-0
Vessel Sink Pop-Up Drain, Chrome

Requested By: _____

Specific Features: _____

STANDARD SPECIFICATIONS:

- Pop-up vessel sink drain with overflow
- Chrome finish
- Solid brass construction
- Includes rubber seals and fastener for installation
- 9-inches total length
- Fits any standard 1.75-inch drain opening
- cUPC

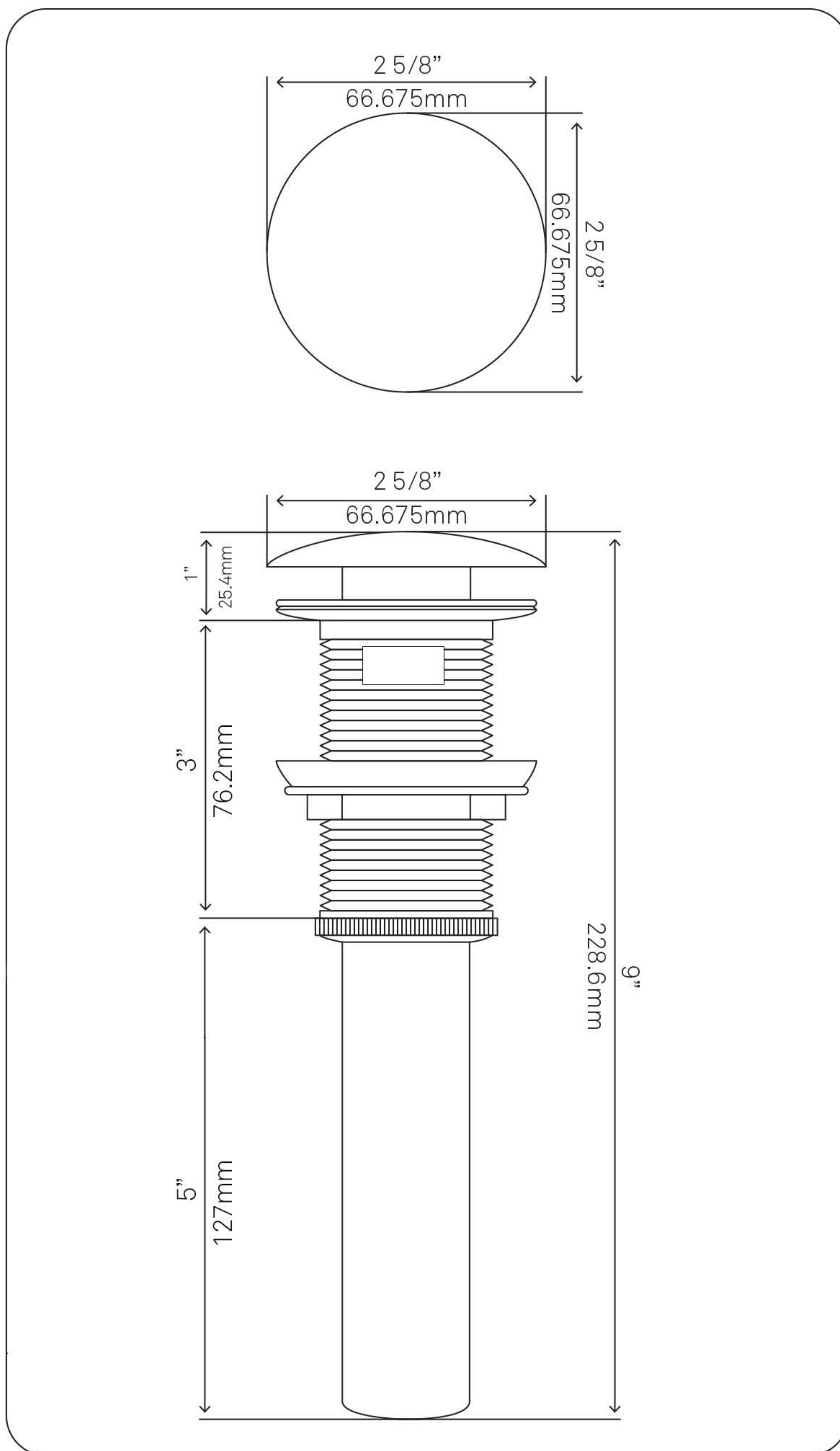
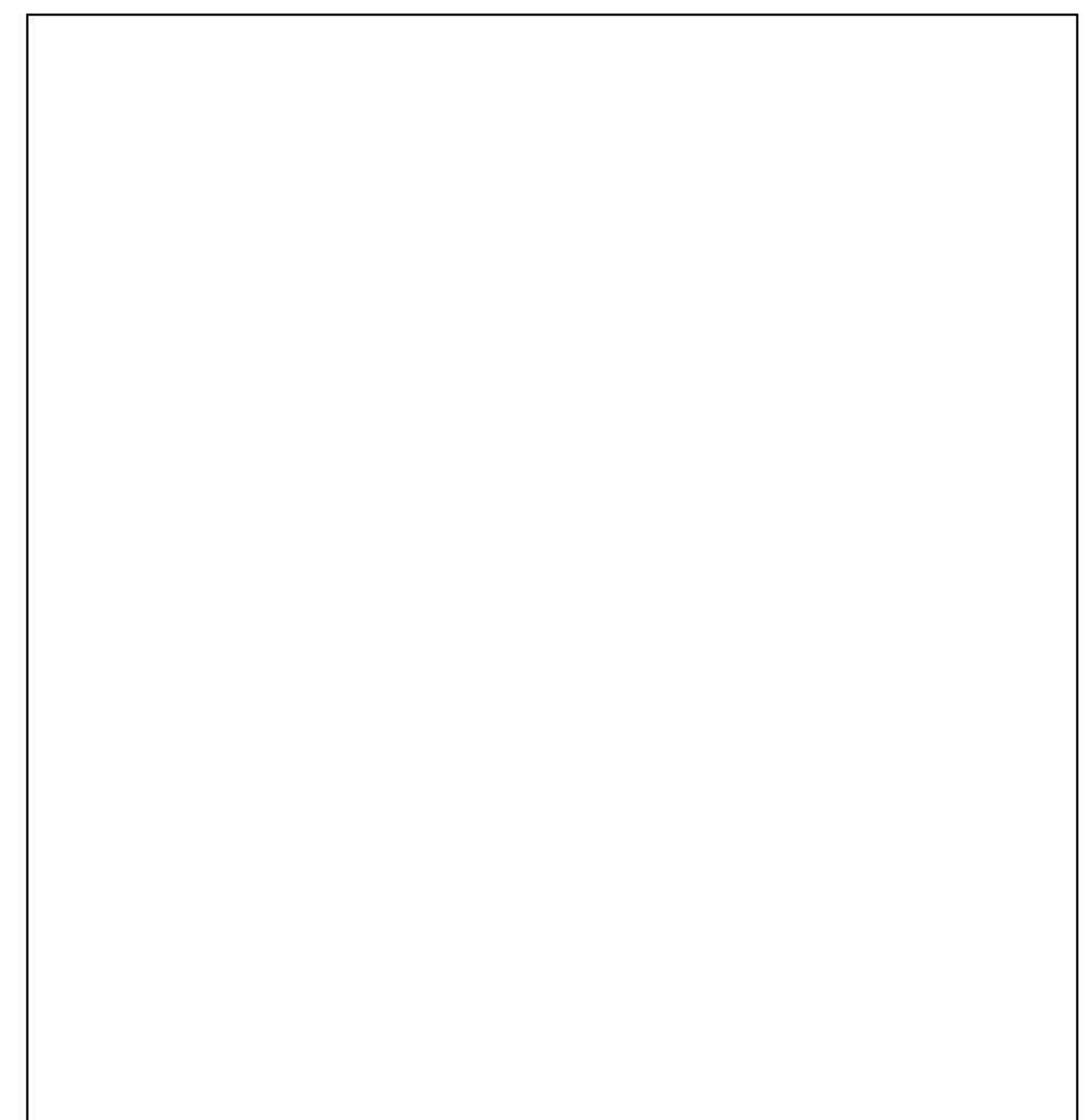
WARRANTY:

- Limited lifetime warranty
- See www.NovattoInc.com for details

COORDINATING ACCESSORIES:

- Glacier Ice Restoration and Sealer kit

NOTES



Novatto reserves the right (1) to make changes in specifications and materials, and (2) to change or discontinue models, both without notice or obligation. Dimensions are for reference only, see www.NovattoInc.com for finish options and product availability.

Novatto Inc
 TOLL FREE 844.404.4242
www.NovattoInc.com