



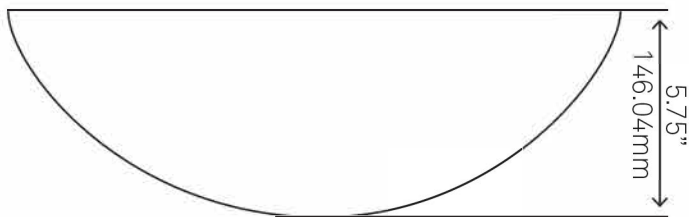
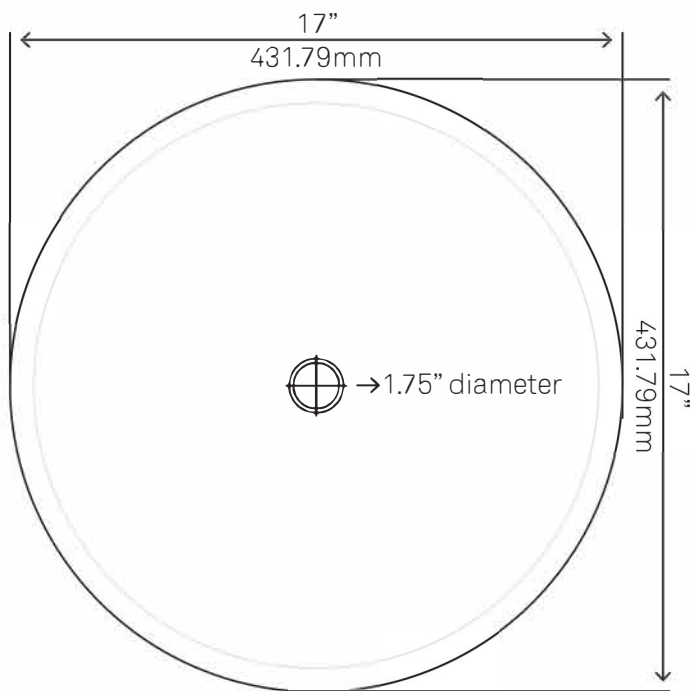
## NOSV-BT Beige Travertine Stone Vessel Sink

Requested By:

---

Specific Features:

---



### STANDARD SPECIFICATIONS:

- Round travertine vessel sink, natural stone
- Artisan hand crafted
- Above counter installation
- No overflow
- Inside Dimension: 15.75-inches
- Height: 5.75-inches
- 5/8" thick
- Standard U.S. plumbing connections
- Item weight: 24lbs
- Material: travertine stone
- Consistent in color

### WARRANTY:

Limited lifetime warranty

- See [www.NovattoInc.com](http://www.NovattoInc.com) for details

### COORDINATING ACCESSORIES:

- UPD-BN/CH/ORB Umbrella drain
- Glacier Ice Restoration and Sealer kit

### NOTES

Novatto reserves the right (1) to make changes in specifications and materials, and (2) to change or discontinue models, both without notice or obligation. Dimensions are for reference only, see [www.NovattoInc.com](http://www.NovattoInc.com) for finish options and product availability.

Novatto Inc  
TOLL FREE 844.404.4242  
[www.NovattoInc.com](http://www.NovattoInc.com)