

# EAST LINEAR

## Two-Handle Kitchen Faucet **9901**

### Features

- Solid brass construction
- Brass valve bodies
- Quarter-turn washerless ceramic disc valve cartridges
- ADA compliant contemporary cross handles
- Swivel spout assembly with integral supply hoses
- 5-11/16" (14.4 cm) spout height at outlet
- 7-7/8" (20.0 cm) spout reach (c-c)
- For 8" (20.3 cm) centers - Maximum 20" (50.8 cm)
- 1.8 gallons (6.8 liters) per minute maximum flow rate



### Codes / Standards Compliance

Meets or exceeds the following at date of manufacture:

- ASME A112.18.1/CSA B125.1
- IAPMO/cUPC
- IPC
- NSF 61
- ADA
- ICC/ANSI A117.1
- Energy Policy Act of 1992
- All applicable US Federal and State material regulations

### Colors / Finishes

- 10B: Oil Rubbed Bronze
- 15: Polished Nickel
- 15S: Satin Nickel - PVD
- 26: Polished Chrome
- Other: Refer to the Newport Brass catalog for additional color/finish options.

### Specified Model

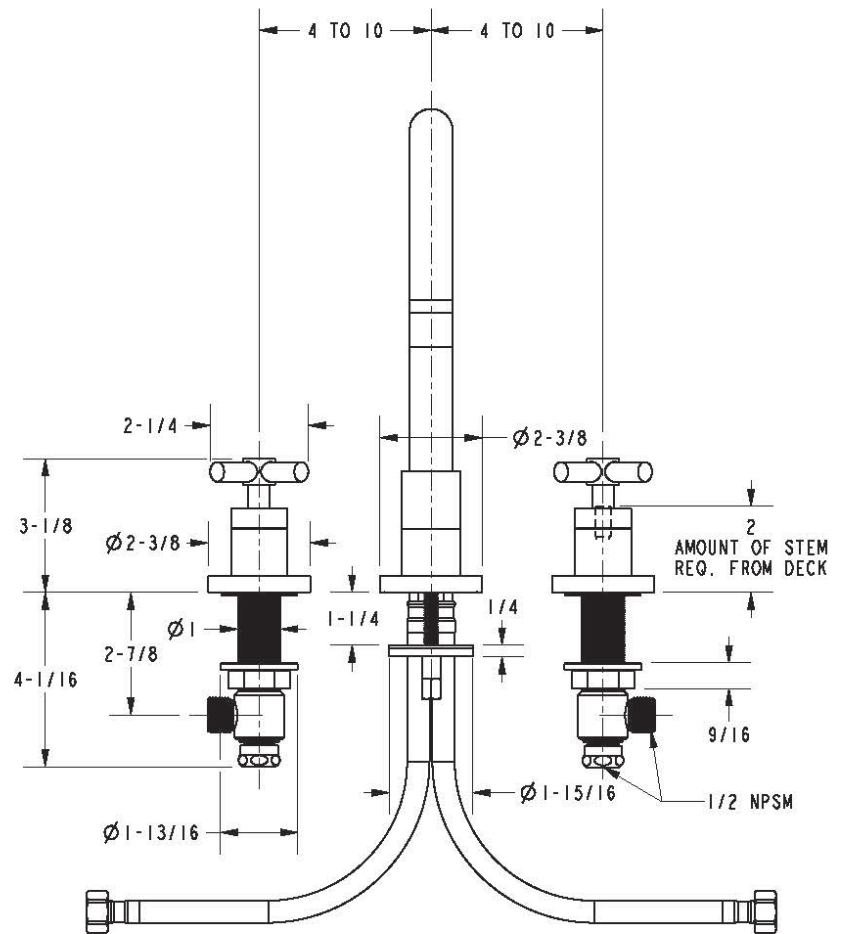
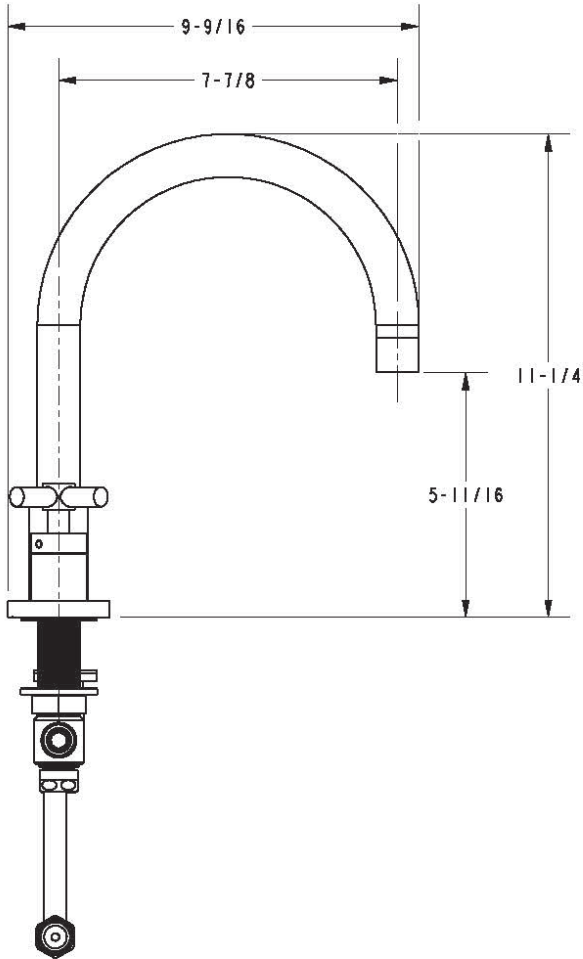
Model	Description	Colors   Finishes
9901	Two-Handle Kitchen Faucet	<input type="checkbox"/> 10B <input type="checkbox"/> 15 <input type="checkbox"/> 15S <input type="checkbox"/> 26 <input type="checkbox"/> Other

### Product Specification Add "Color / Finish" suffix to Model number, below.

The Two-Handle Kitchen Faucet shall be made of solid brass construction. Faucet shall incorporate a swivel spout assembly with integral supply hoses and feature brass valve bodies with quarter-turn washerless ceramic disc valve cartridges. Faucet shall have a 1.8 gallons (6.8 liters) per minute maximum flow rate. Product shall be for 8" (20.3 cm) centers - Maximum 20" (50.8 cm). Product shall incorporate a 5-11/16" (14.4 cm) spout height at outlet and a 7-7/8" (20.0 cm) spout reach (c-c). Faucet shall incorporate ADA compliant contemporary cross handles. Two-Handle Kitchen Faucet shall be Newport Brass Model 9901/\_\_\_\_.

# 9901

## PRODUCT DIMENSIONS *(Units are in inches)*



### East Linear Two-Handle Kitchen Faucet 9901