

# METROPOLE

## Open Towel Ring 1200-1400

### Features

- Solid brass construction
- Single-post, horizontal pivot design with hanging, closed ring
- Complements Metropole product series

### Codes / Standards Compliance

Meets or exceeds the following at date of manufacture:

- All applicable US Federal and State material regulations

### Colors / Finishes

- 10B: Oil Rubbed Bronze
  - 15: Polished Nickel
  - 15S: Satin Nickel - PVD
  - 26: Polished Chrome
- Other: Refer to the Newport Brass catalog for additional color/finish options.



### Specified Model

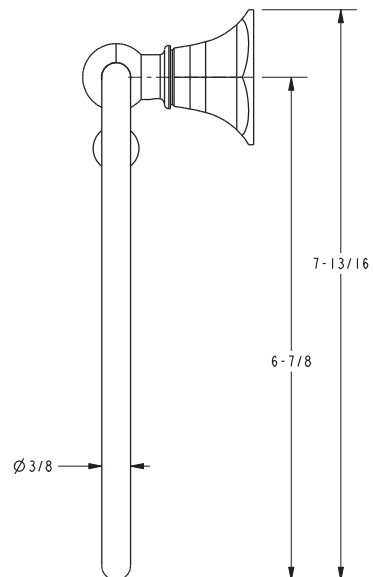
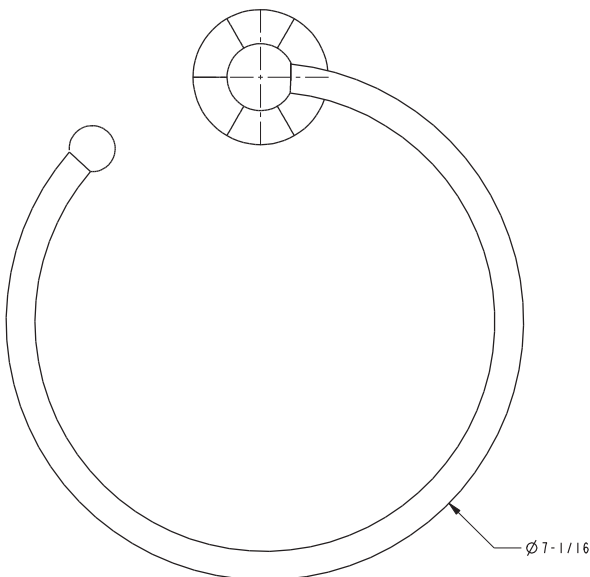
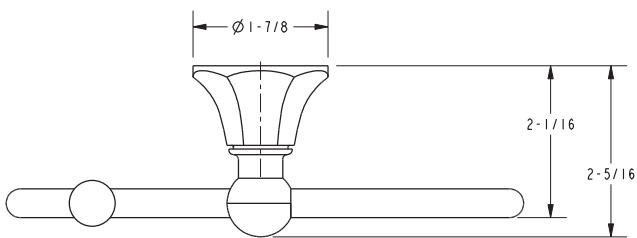
Model	Description	Colors   Finishes				
1200-1400	Open Towel Ring	<input type="checkbox"/> 10B	<input type="checkbox"/> 15	<input type="checkbox"/> 15S	<input type="checkbox"/> 26	<input type="checkbox"/> Other

### Product Specification Add "Color / Finish" suffix to Model number, below.

The Towel Ring shall be made of solid brass construction and incorporate a single-post, horizontal pivot design with hanging, closed ring. Towel Ring shall complement Newport Brass Metropole product series. Towel Ring shall be Newport Brass Model 1200-1400/\_\_\_\_\_.

# 1200-1400

## PRODUCT DIMENSIONS *(Units are in inches)*



### Metropole Open Towel Ring 1200-1400