

INSTALLATION INSTRUCTIONS EXPOSED TUB FILLER WITH HAND SHOWER

NEWPORT BRASS
Flawless Beauty. From Faucet to Finish.™

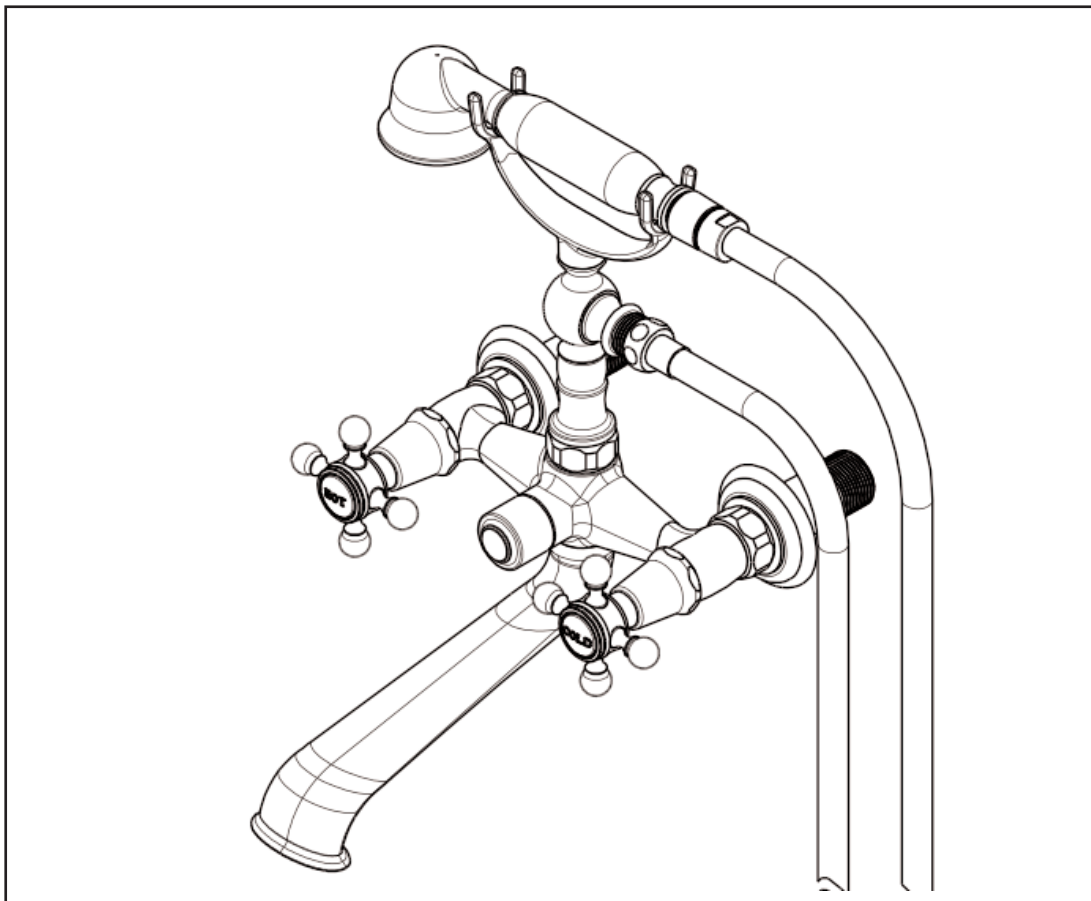
Model No:

934, 1014, 850-4283, 2400-4282, 2400-4283

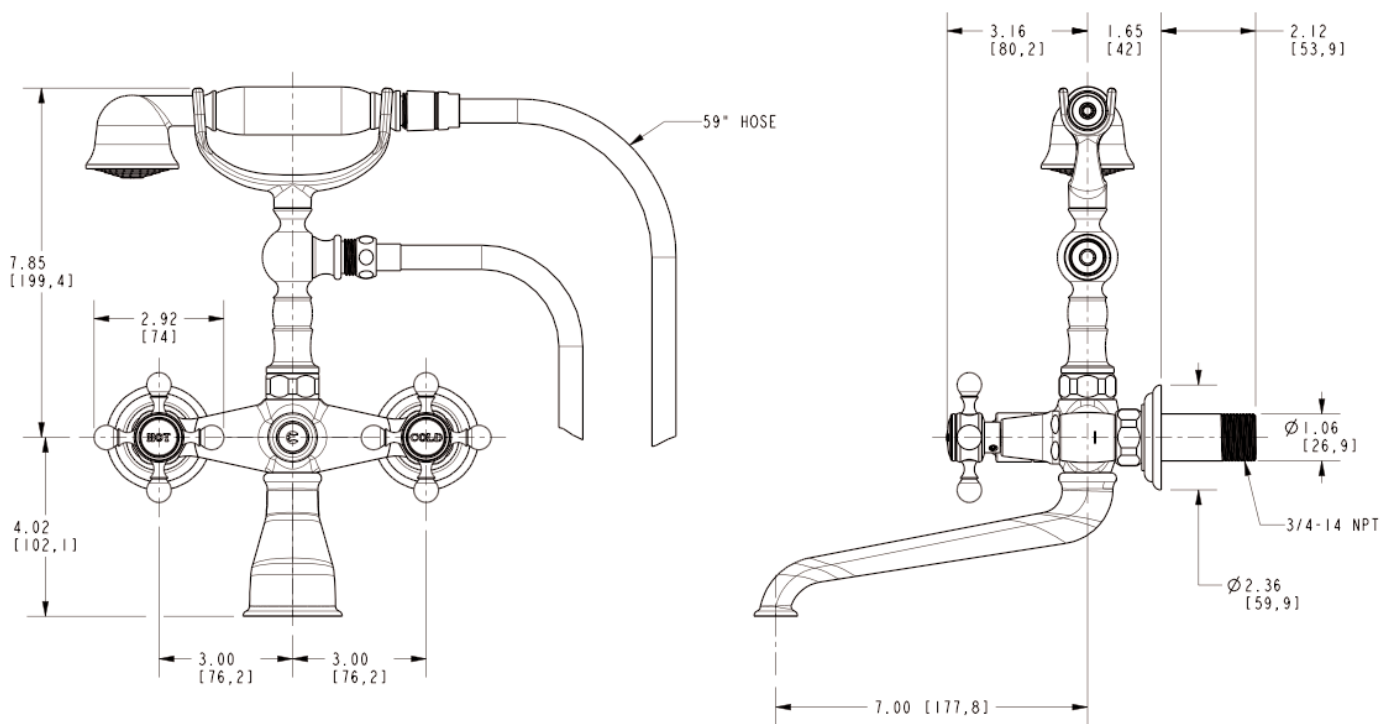
910-4283, 920-4282, 1020-4283, 1600-4282

1620-4283, 1760-4282, 1770-4283

1200-4283, 2590-4283



**Congratulations on the purchase
of your Newport Brass product,
an excellent choice, that will give you
years of quality service and enhance
the look and style of your home.**



Recommended Installation by a Professional Plumbing Contractor

Note: The use of petroleum base plumbers putty on our products will nullify the warranty. We recommend the use of clear silicone sealing materials. Recommended deck hole 2 @ $\text{Ø}1.25$ and 6" apart - center to center.

Based on finished wall thickness, installer must use appropriate length 3/4" NPT NIPPLE (1), not included, for faucet installation.

1. Apply thread sealant to the 3/4-14 NPT taper thread of the NIPPLE (1) and thread into fitting behind finished wall. Place ESCUTCHEON (2) over NIPPLE (1). Attach faucet BODY (3) to the other end of NIPPLE (1) and flush against ESCUTCHEON (2). See Figure 1.

2. Thread hand shower RISER (4) to faucet BODY (3). Attach the flex HOSE (5) to RISER (4) and hand SHOWER (6). (Hand-tighten and secure each connection with a wrench 1/4 turn.) See Figure 2.

3. Check for leaks and make any final adjustments required.

