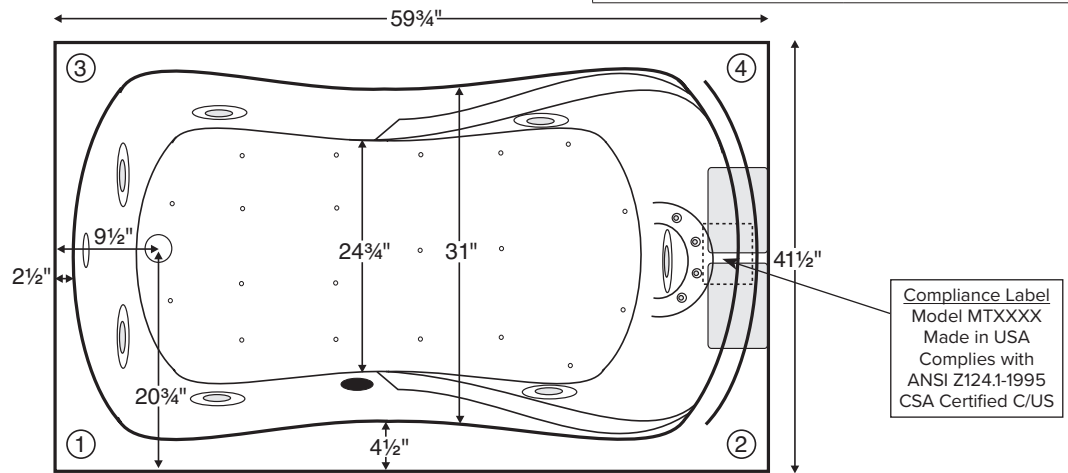


Reflection 3

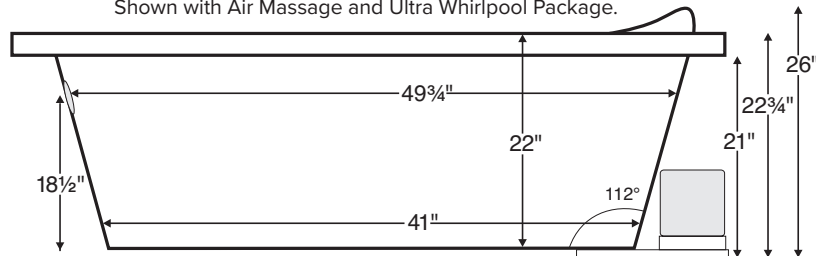


MODEL 50		
59.75" x 41.5" x 22.75"		
DROP-IN (cannot be undermounted) <i>Not recommended as a tub/shower combination</i> 85 gal to overflow		
Acrylic CXL®		DoloMatte®
100 lbs / 45 kg	<SOAKER>	113 lbs / 51 kg
150 lbs / 68 kg	<PLUMBED>	163 lbs / 74 kg
Filling this tub to the maximum may require an above average size or dedicated water heater.		



Compliance Label
 Model MTXXXX
 Made in USA
 Complies with
 ANSI Z124.1-1995
 CSA Certified C/US

Numbered areas on tub deck represent possible locations to install cleaning systems, faucets and other fixtures. Shown with Air Massage and Ultra Whirlpool Package.



IMPORTANT:
 Air baths and tubs with a pre-leveled foam base or frame system add 2-3" to overall tub height.

IMPORTANT ORDERING & INSTALLATION INFORMATION

- Before ordering or installing, please consider future access to equipment.
- Add proper bedding compound to fully level and support bottom of tub.
- When equipped with an air bath package, pre-leveled foam base or frame system, overall tub height is increased by approx. 2-3" and is designed to install on a flat, level subfloor.
- Radiance placed on airbath floor will affect placement of air jets.
- System components may extend beyond the perimeter of deck.
- Please measure tub **on-site** before building tub decking.
- Advise MTI when planning to use a glass enclosure. Relocation of controls may be necessary.
- Suction and control locations may vary.
- All tubs are compliant with ASTM C 1028-07 coefficient of friction. DoloMatte meets ANSI A137.1/ A326.3 coefficient of friction and AS HB198:2014 slip tests.

ELECTRICAL COMPONENTS & SPECIFICATIONS

Hydrotherapy Package	Components Included	GFCI / 110V
Standard Whirlpool	2-bhp pump	1-15 amp
Stream Bath	1/2-bhp, ozone	1-20 amp
Microbubbles	Microbubbles pump	1-15 amp
Ultra Whirlpool	3-bhp pump, inline heater, ozone	2-15 amp
Air Massage	heated blower	1-15 amp
Air Massage Elite	heated blower, chromatherapy	1-15 amp
Air Massage w/ Stream Bath	1/2-bhp pump, heated blower, ozone	1-20 amp
Air Massage Elite w/ Stream Bath	1/2-bhp pump, heated blower, chromatherapy, ozone	1-20 amp

Hydrotherapy Package	Components Included	GFCI / 110V
Microbubbles with Air	Microbubbles pump, heated blower	1-20 amp
Microbubbles with Air Elite	Microbubbles pump, heated blower, chromatherapy	2-15 amp
Air with Whirlpool	2-bhp pump, heated blower	2-15 amp
Air with Ultra Whirlpool	3-bhp pump, inline heater, heated blower, ozone	2-20 amp
Air Elite with Whirlpool	2-bhp pump, heated blower, chromatherapy	2-15 amp
Air Elite with Ultra Whirlpool	3-bhp pump, inline heater, heated blower, chromatherapy, ozone	2-20 amp

See the Installation & Operation Manual for more details.
 MTI's Customer Service Monday-Friday 8am-6pm EST
 800-783-8827 or service@mtibaths.com

- Before discarding tub crate, check for accessories that may be packaged inside.
- All product measurements are ±1/2".
- Specifications and configurations are subject to change without notice.
- Measurements herein supersede all others published prior to publication date below.



Reflection 3

MODEL 50

59.75" x 41.5" x 22.75"

- Aromatherapy is eliminated for undermount applications
- Air Baths, Pre-Levelled Foam Base or Frame Systems increase overall height by 2-3".

Hydrotherapy Packages	Package Contents	Acrylic CXL®		DoloMatte®	
		Part #	MSRP	Part #	MSRP
Soaker	Soaking bath - no jets	S50	\$2,480	S50DM	\$3,020
Stream Bath	6 side vents, 2 end vents, 1/2 bhp pump, Ozone	SM50	\$4,770	SM50DM	\$5,310
Microbubbles	1 microbubbles infusion port and pump	M50	\$5,470	M50DM	\$6,010
Air Massage	20 air jets, heated air blower, Aromatherapy, pre-levelled foam base	AST50	\$5,765	AST50DM	\$6,305
Air Massage Elite	30 air jets, heated air blower, Aromatherapy, Chromotherapy LED lighting, Spa Mode, pre-levelled foam base	AE50	\$7,475	AE50DM	\$8,015
Stream Bath with Air Massage	6 side vents, 2 end vents, 1/2 bhp pump, Ozone, 20 air jets, heated air blower, Aromatherapy, pre-levelled foam base	ASTSM50	\$7,605	ASTSM50DM	\$8,145
Stream Bath with Air Massage Elite	6 side vents, 2 end vents, 1/2 bhp pump, Ozone, 30 air jets, heated air blower, Aromatherapy, Chromotherapy LED lighting, Spa Mode, pre-levelled foam base	AESM50	\$9,495	AESM50DM	\$10,035
Microbubbles with Air Massage	1 microbubbles infusion port and pump, 20 air jets, heated air blower, Aromatherapy, pre-levelled foam base	ASTM50	\$8,215	ASTM50DM	\$8,755
Microbubbles with Air Massage Elite	1 microbubbles infusion port and pump, 30 air jets, heated air blower, Aromatherapy, Chromotherapy LED lighting, Spa Mode, pre-levelled foam base	AEM50	\$9,835	AEM50DM	\$10,375
Standard Whirlpool	5 point-massage jets, 2-bhp pump	P50	\$4,610	P50DM	\$5,150
Ultra Whirlpool	7 point-massage jets, 4 micro-jets, 3-bhp pump, inline heater, Ozone	P50U	\$6,405	P50UDM	\$6,945
Air Massage with Standard Whirlpool	5 point-massage jets, 2-bhp pump, 20 air jets, heated air blower, Aromatherapy, pre-levelled foam base	AW50	\$7,895	AW50DM	\$8,435
Air Massage with Ultra Whirlpool	7 point-massage jets, 4 micro-jets, 3-bhp pump, inline heater, 20 air jets, heated air blower, Aromatherapy, Ozone, pre-levelled foam base	AU50	\$9,690	AU50DM	\$10,230
Air Massage Elite with Standard Whirlpool	5 point-massage jets, 2-bhp pump, 30 air jets, heated air blower, Aromatherapy, Chromotherapy LED lighting, Spa Mode, pre-levelled foam base	AEAP50	\$9,605	AEAP50DM	\$10,145
Air Massage Elite with Ultra Whirlpool	7 point-massage jets, 4 micro-jets, 3-bhp pump, inline heater, 30 air jets, heated air blower, Aromatherapy, Ozone, Chromotherapy LED lighting, Spa Mode, pre-levelled foam base	AEAP50U	\$10,590	AEAP50UDM	\$11,130

RECOMMENDED SENSORY THERAPIES

Chromotherapy

(LE) **\$800** underwater lighting
2 LED lights included

Audiotherapy

(STEREOBT) **\$1,390** 2 transducers with bluetooth and amplifier
(BTREMOTE) **\$600** bluetooth remote

(STEREOH202) **\$1,575** 4 transducers amplifier not included

Thermaltherapy

(RAD100) **\$1,595** Radiance®
2 heated zones included
(HTISOAK) **\$825**



For more information on options and accessories go to Acrylic Tub Options at mtibaths.com

Options <i>Must be ordered at time of purchase.</i>
Standard Colors White (CWH) DoloMatte available in matte white only. Biscuit (CBS) Not available for DoloMatte.
Quick Ship reduces lead time (QSPRI) \$430 <i>Please call for availability</i>
Inline Heater maintains water temperature For Soaker or Air Baths (HTISOAK) \$825 Includes a recirculating pump <i>Cannot be combined with Microbubbles.</i>
Virtual Spout high-flow integrated tub filler (FPMJ) \$450 <i>Virtual Spout location is left of the overflow, unless otherwise specified on order.</i>
Grab Bars from \$330 <i>Selections vary. Personalization available.</i>
Textured Bottom (TXTBTM) Acrylic CXL® only \$105 DoloMatte® exceeds ANSI A1371/A326.3 and AS HB198 slip tests.
Accessories
Pillows from \$180
Teak Bath Mat (TKMAT3018) \$815 <i>Custom sizes also available. Contact MTI for details and pricing.</i>

Hydrotherapy Equipment & Cleaning Systems <i>Must be ordered at time of purchase.</i>
Inline Heater maintains water temperature For Whirlpools or Stream Bath (HTI) \$570 Uses existing pump <i>Cannot be combined with Microbubbles.</i>
Whirlpool Cleaning Systems Fill-Flush (FFSO) \$590 Simple Touch (FFE) \$1,020 <i>Must specify stub-out location on order. See page 1 for location options.</i>
Whirlpool Jets Pump upgrade may be advisable for optimal performance when adding jets. Point-Massage Jet Extra Point-Massage Jet (EJ) \$315 Micro-Jet from \$360 <i>Jet styles and packages vary. Personalization available.</i>
Pump Upgrade - 3-bhp (PUMP3) \$315
Jet Trim Kits For Standard Whirlpool Chrome (TRC) \$270 , Brushed Nickel (TRBN) \$725 For Ultra Whirlpool Chrome (TRCU) \$370 , Brushed Nickel (TRBNU) \$960
Ozonator (OZONE) \$515 <i>Cannot be added to soakers or airbaths without combination hydrotherapy package or HTISOAK.</i>

Installation Options *Must be ordered at time of purchase.*

Pre-Leveled Foam Base (PLFOAM) \$295 All airbaths include a pre-leveled foam base.
Pre-Leveled Frame and Foam Base (PLF) \$740
Pre-Leveled Frame and Foam Base with Skirting (Acrylic CXL® tubs only) <i>For pricing and details go to mtibaths.com</i>

Tile Flange Factory-Installed on 3 sides - rigid ABS (TFK3) \$200 Field Install Kit - includes rigid ABS & adhesive (TFKNI) \$185 IMPORTANT: <i>Must specify flange location(s) on order of Factory-Installed Flange. Not available with optional Low-Profile Rim.</i>

Drains & Overflow Kits

Cable Driven Drain Finishes – PVC Drain Kit White/Bone/Biscuit (WOCDW) \$440 Chrome (W OCD) \$410 Brushed Nickel (WOCDBN) \$490 Polished Nickel (WOCDPN) \$540 Oil-Rubbed Bronze* (WOC DOR) \$550 Polished Brass (WOCDBR) \$690 Special Finishes* (WOCDSF) \$1,135 <i>MTI does not offer a brass body cable drain kit.</i>
Lift & Turn Drain Finishes – PVC Drain Kit Chrome (WOC) \$185 White (WOW) \$245 Brushed Nickel (WOBN) \$305

Toe Tap Round Overflow – PVC Drain Kit Chrome (WOTTC) \$380 Brushed Nickel (WOTTBN) \$385 Polished Nickel (WOTTPN) \$385 Special Finishes* (WOTT SF) \$1,145 Round Overflow – Solid Brass Drain Chrome (WOTTSBC) \$810 Brushed Nickel (WOTTSBBN) \$810 Polished Nickel (WOTTSBPN) \$810
--

* MTI has selected an oil-rubbed bronze finish that is compatible with Delta and many other manufacturers. To ensure best match, order as a Special Finish and submit a sample.

* Allow 2-4 weeks lead time for Special Finishes. Send sample for best match.

