

INSTALLATION INSTRUCTIONS

Item#2171-66A/84 (New. 02/02/2021)

READ AND SAVE THESE INSTRUCTIONS

WARNING! SHUT POWER OFF AT FUSE OR CIRCUIT BREAKER.

AVERTISSEMENT! COUPER LE COURANT AU NIVEAU DES FUSIBLES OU DU DISJONCTEUR.

MOUNTING THE FIXTURE (Fig.1)

1. Shut off the power at the fuse box or circuit breaker. If necessary, remove the old fixture, including the mounting hardware.
2. Carefully remove the fixture from the carton and check that all parts are included as shown in the illustration.

ASSEMBLING THE FIXTURE WITH CHAIN LOOP (Fig. 1)

3. Determine the desired hanging height and thread rods (F1, F2 and F3) to the all thread (I) of the fixture body. Screw loop (H1) onto rod (F1). Pass the wires carefully through each rod as you assemble.
4. Attach the quick link (G) to loop (H1) and loop (H2) on the canopy (D). Carefully feed the wire through loop (H1), quick link (G) and loop (H2).
5. Attach the mounting plate (A) to the outlet box using outlet box screws (C) (Size: #8-32N*L0.5"). Then adjust the length of mounting screws (B) and tighten with hex nuts. The side of the mounting plate (A) marked "GND" must face out.

CONNECTING THE WIRES (Fig.2)

6. At this point, connect the electrical wires as shown in Fig.2, making sure that all wire connectors (W) are secured. If your outlet has a ground wire (green or bare copper), connect the fixture's ground wire to it. Otherwise, connect the fixture's ground wire directly to the mounting plate (A) using the green screw provided.
7. Tuck the wire connectors (W) neatly into the ceiling outlet box.

FINISHING THE INSTALLATION (Fig.1)

8. Raise the canopy (D) all the way to the ceiling. Thread canopy (D) into mounting screws (B) on the mounting plate (A) and secure with finials (E).
9. Unscrew the socket ring (L) from the fixture socket. Position the glass shade (K) onto the fixture and secure in place with the socket ring (L).
10. Install (1) one medium base (E26) bulb (M) up to 60 watts each or CFL or LED equivalent (not included) in accordance with the fixture specification—**DO NOT EXCEED THE MAXIMUM WATTAGE RATING! (NE PAS DEPASSER LA PUISSANCE NOMINALE MAXIMALE!)**.

Your installation is now complete. Return power and test the fixture.

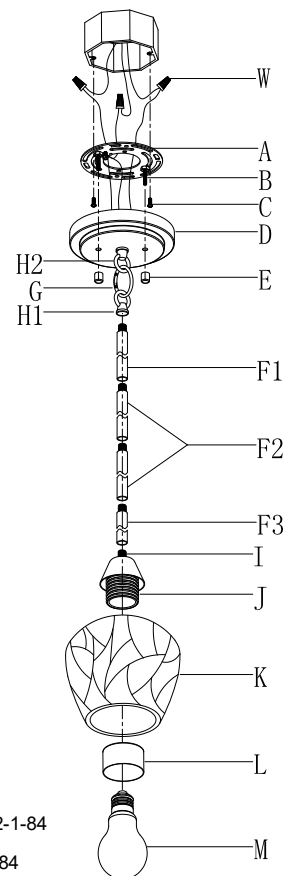
Fig. 1

Set# A020-102

-Mounting Plate

-Ground Screw

-Mounting Screw*2

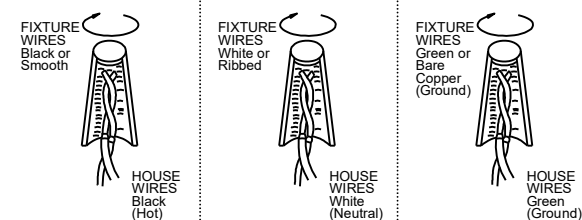


Rod#

F1&F2: W32-1-66A / W32-1-84

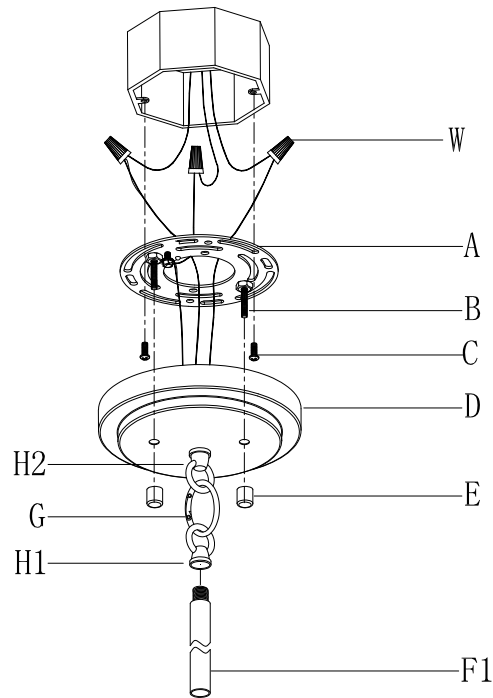
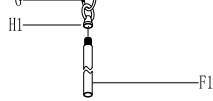
F3: W32-H-66A / W32-H-84

Fig. 2



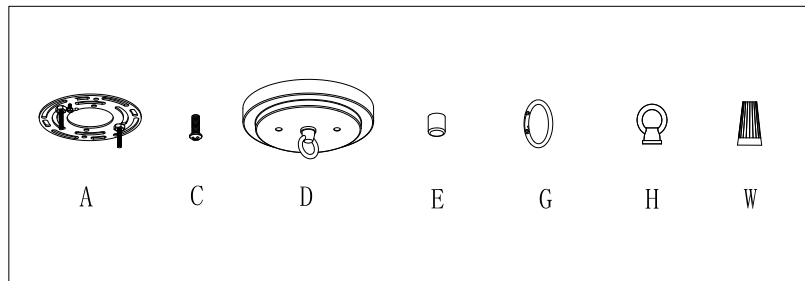
Note: Illustration (Fig.1) on this manual is for installation purposes only. It may or may not be identical to the fixture purchased.

Fig.3



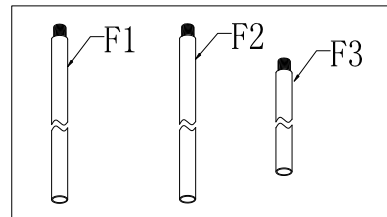
a. Hardware Bag:

- A. Mounting Plate*1
- C. Outlet Box Screw*2
- D. Canopy with Loop*1
- E. Finial*2
- G. Quick Link*1
- H. Loop*1
- W. Wire Connector*3



b. Hardware Bag:

- F1. ROD 12" *1
- F2. ROD 12" *2
- F3. ROD 6" *1



INSTALLATION INSTRUCTIONS

OPTIONAL-SEMI FLUSH MOUNT

Item#2171-66A/84 (New. 02/02/2021)

READ AND SAVE THESE INSTRUCTIONS

WARNING! SHUT POWER OFF AT FUSE OR CIRCUIT BREAKER.
AVERTISSEMENT! COUPER LE COURANT AU NIVEAU DES FUSIBLES OU DU DISJONCTEUR.

PREPARATION (Fig. 4 & Fig. 5)

1. Unscrew hex nut (N) by using wrench (not included), take apart lock washer (O), washer (P), metal plate (Q), canopy (D) and loop (H2). (Fig.5)
2. Cut down a length of wire if the wire is too long.
3. Thread canopy (D), metal washer (Q), washer (P), lock washer (O) and hex nut (N) into the nipple at the socket (J). Then secure hex nut (N) by using wrench (not included). (Fig.4)
4. Attach the mounting plate (A) to the outlet box using outlet box screws (C) (Size: #8-32N*L0.5"). Then adjust the length of mounting screws (B) and tighten with hex nuts. The side of the mounting plate (A) marked "GND" must face out. (Fig.4)

CONNECTING THE WIRES (Fig. 2)

5. At this point, connect the electrical wires as shown in Fig.2, making sure that all wire connectors (W) are secured. If your outlet has a ground wire (green or bare copper), connect the fixture's ground wire to it. Otherwise, connect the fixture's ground wire directly to the mounting plate (A) using the green screw provided.
6. Tuck the wire connectors (W) neatly into the ceiling outlet box.

FINISHING THE INSTALLATION (Fig.4)

7. Raise the canopy (D) all the way to the ceiling. Place the canopy (D) through the mounting screws (B) on the mounting plate (A) and fix it with finials (E).
8. Unscrew the socket ring (L) from the fixture socket (J). Position the glass shade (K) onto the fixture and secure in place with the socket ring (L).
9. Install (1) one medium base (E26) bulb (M) up to 60 watts each or CFL or LED equivalent (not included) in accordance with the fixture specification—**DO NOT EXCEED THE MAXIMUM WATTAGE RATING! (NE PAS DEPASSER LA PUISSANCE NOMINALE MAXIMALE!)**.

Your installation is now complete. Return power and test the fixture.

Fig. 4

Set# A020-102

-Mounting Plate

-Ground Screw

-Mounting Screw*2

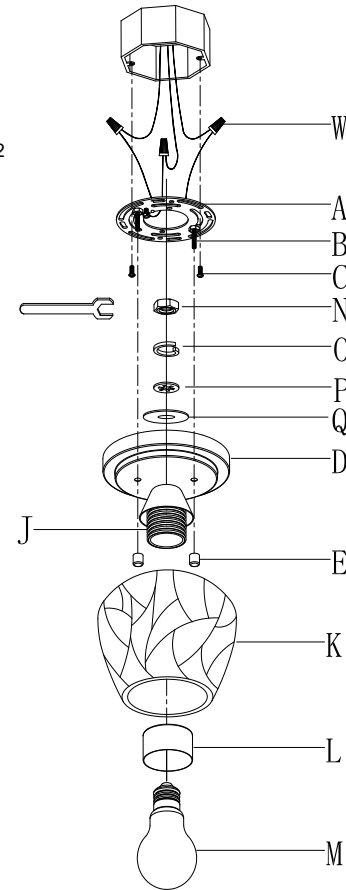
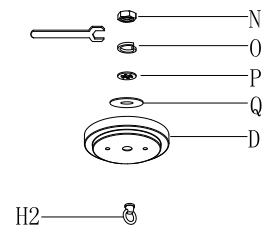


Fig.5



Note: Illustration (Fig.4) on this manual is for installation purposes only. It may or may not be identical to the fixture purchased.