

Features

- Anodized aluminum construction with a durable rust-free and chip-free finish.
- Vertically adjustable 3x magnifying mirror on inside of door.
- Three adjustable tempered-glass shelves.
- Double doors with full-overlay mirrors.
- Mirrored interior.
- Slow-close doors prevent slamming.
- Two-way adjustable hinges with 108-degree opening capability for easy cabinet access.
- Can be installed with left- or right-hand swing.
- Includes mounting hardware for surface or recessed installation.
- Requires K-99012 or K-99675 side mirror kit (sold separately) for surface mount installation.

Material

- Anodized aluminum.

Required Products/Accessories

K-99675 Medicine Cabinet Wood Side Kit

or

K-99012 mirrored side kit for medicine cabinet

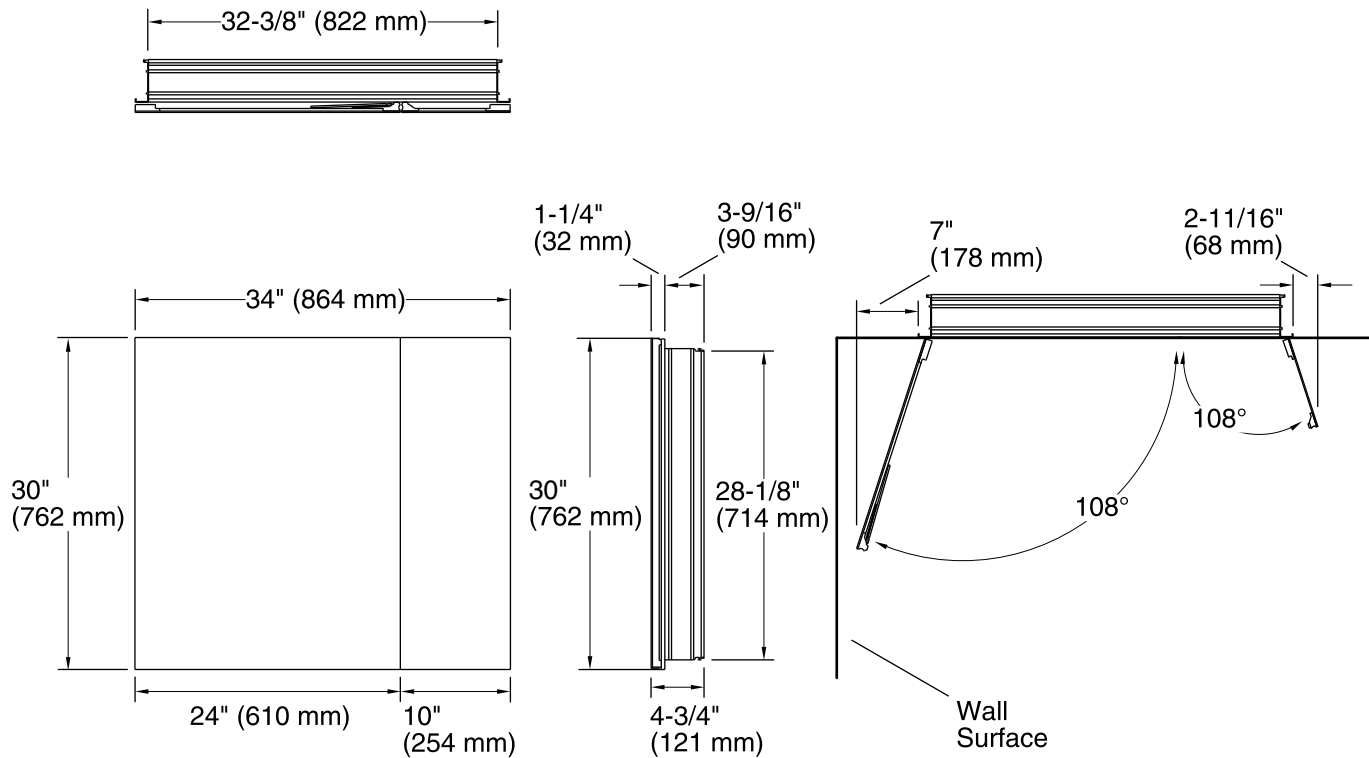


Codes/Standards

None Applicable

KOHLER® One-Year Limited Warranty

See website for detailed warranty information.



Technical Information

All product dimensions are nominal.

Recess-Mount Cutout:

Width:	32-1/2" (826 mm)
Height:	28-1/4" (718 mm)
Depth:	3-11/16" (94 mm)

Notes

Install this product according to the installation guide.

CAUTION: Risk of electric shock. Electrical wiring may need to be relocated.

IMPORTANT! For recess mounting, the wall cavity must be framed and cabinet secured to framing studs. Reroute any electrical wires or water supply piping from the wall cavity. If you encounter drain or vent piping, or if your wall is load-bearing, consult a professional before proceeding.

When determining the height of the cabinet, ensure the mirrored door will clear all obstacles (such as a faucet). A minimum distance of 3" (76 mm) is required.

Cutout for recess-mount installation: 32-1/2" (826 mm) width x 28-1/4" (718 mm) height x 3-11/16" (94 mm) depth.