



**Iron/Tones®**  
 Top-/Under-Mount Kitchen Sink  
**K-6585**

**Features**

- 27-inch minimum base cabinet width.
- Single bowl.
- 7-1/2-inch depth.
- No faucet holes.

**Material**

- KOHLER® enameled cast iron.

**Installation**

- Top-mount or under-mount.



**Recommended Products/Accessories**

- K-9000 P-Trap
- K-3192 Sink Rack
- K-5184 Stainless steel sink rack, 12-7/8" x 14-11/16"
- K-6539 Drainboard with Sink Rack
- K-6377 Sponge Caddy
- K-6378 Kitchen Brush Caddy
- K-6379 Kitchen Squeegee
- K-6382 Disinfecting Wipes Dispenser
- K-6383 Soap Dispenser
- K-8618 Paper Towel Holder
- K-8619 Flexible Kitchen Mat
- K-8624 Dish Scraper
- K-8801 Sink Strainer
- K-8799 Sink Strainer

**Optional Products/Accessories**

- K-3277 Sink Basket
- K-3294 Cutting Board

**Included Components**

- Additional Components:  
 1193643 Basin clamps

**Codes/Standards**

ASME A112.19.1/CSA B45.2

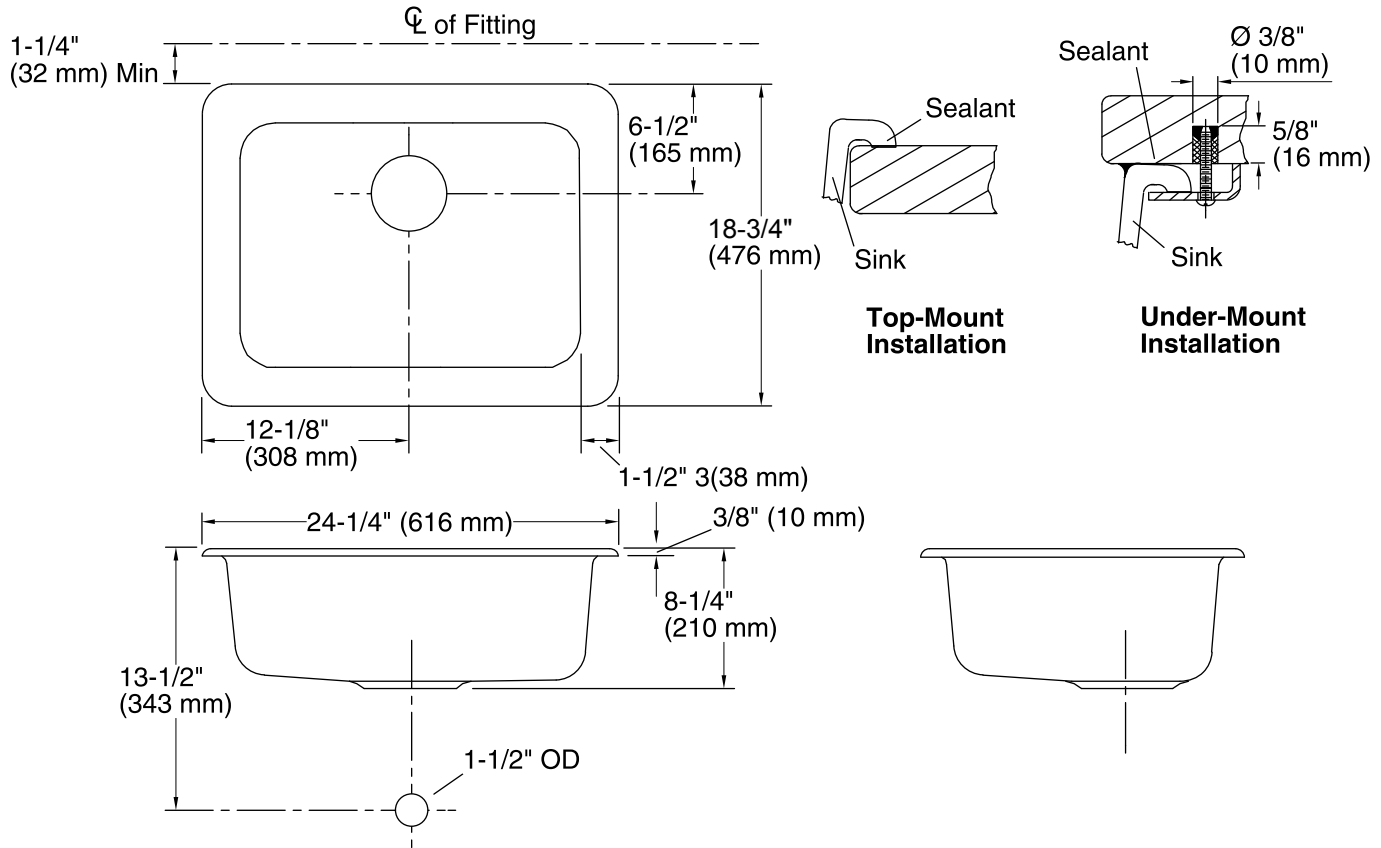
**KOHLER® Enameled Cast Iron Kitchen Sink Lifetime Limited Warranty**

See website for detailed warranty information.

**Available Colors/Finishes**

*Color tiles intended for reference only.*

Color	Code	Description
	0	White
	FF	Sea Salt™
	96	Biscuit
	47	Almond
	FD	Cane Sugar™
	NY	Dune
	55	Innocent Blush™
	95	Ice™ Grey
	G9	Sandbar
	33	Mexican Sand™
	K4	Cashmere
	FT	Basalt
	58	Thunder™ Grey
	R1	Roussillon™ Red
	20	Suede
	KA	Black 'n Tan
	FP	Caviar
	7	Black Black™



## Technical Information

All product dimensions are nominal.

Bowl configuration:	Single
Installation:	Top-mount, Under-mount
Min. base cabinet width:	27" (686 mm)
Bowl area:	Length: 21" (533 mm) Width: 16" (406 mm) Bowl depth: 7-1/2" (191 mm)
Drain hole:	3-7/8" (98 mm)
Template:	114333-7, required, included

## Notes

Install this product according to the installation instructions.

Supplied bowl clamp assemblies require 1" (25 mm) minimum countertop thickness. Installer must supply hardware for thinner countertops.

For multiple bowl under-mount installations, a minimum distance of 3-3/8" (86 mm) is required between bowls. Countertop supplier to determine required support.