



Stronghold®
Elongated Commercial Heavy-Duty Toilet Seat
K-4731-CA

Features

- Open-front seat without lid.
- Check hinge.
- Includes an antimicrobial agent that protects the toilet seat from odor- and stain-causing bacteria, mold and mildew. Antimicrobial agent does not protect the user from disease-causing bacteria.

Material

- Plastic



Codes/Standards

None Applicable


KOHLER® One-Year Limited Warranty

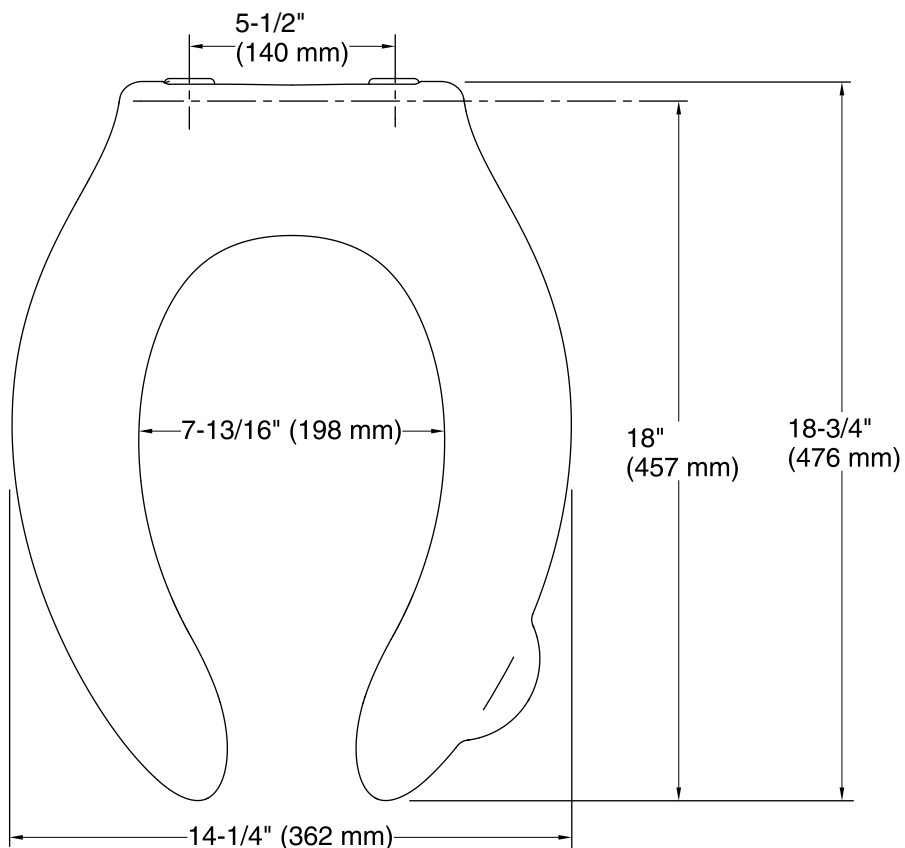
See website for detailed warranty information.

Available Colors/Finishes

Color tiles intended for reference only.

Color Code Description

	0	White
--	---	-------



Technical Information

All product dimensions are nominal.

Seat shape type: Elongated
Seat front type: Open-front
Seat hinge type: Check
Seat-mounting holes: 5-1/2" (140 mm)

Notes

Install this product according to the installation guide.