

Features

- Deep rectangular basin in translucent glass with concealing linear texture
- Handcrafted in small batches by expert glassmakers, featuring bubbles, textures, and other markings, unique to each individual piece
- Glass material provides a strong durable surface that is easy to clean yet visually distinctive
- The Yepsen sink is available in clear glass, translucent colors, and opaque colors
- Allows flexible faucet and accessory installation
- No faucet holes; requires wall- or counter-mount faucet

Installation

- Undermount

Required Products/Accessories

K-7107 Decorative Drain

or

K-7108 Decorative Drain

or

K-7129 Drain

Recommended Products/Accessories

K-23723 Faucet cleaner

K-23726 Drain treatment

Included Components

Additional Components:

1070246

1201980

ADA

Codes/Standards

CSA B45.11/IAPMO Z401

ADA








ICC/ANSI A117.1

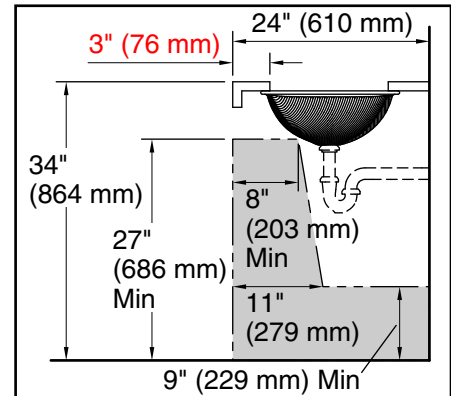
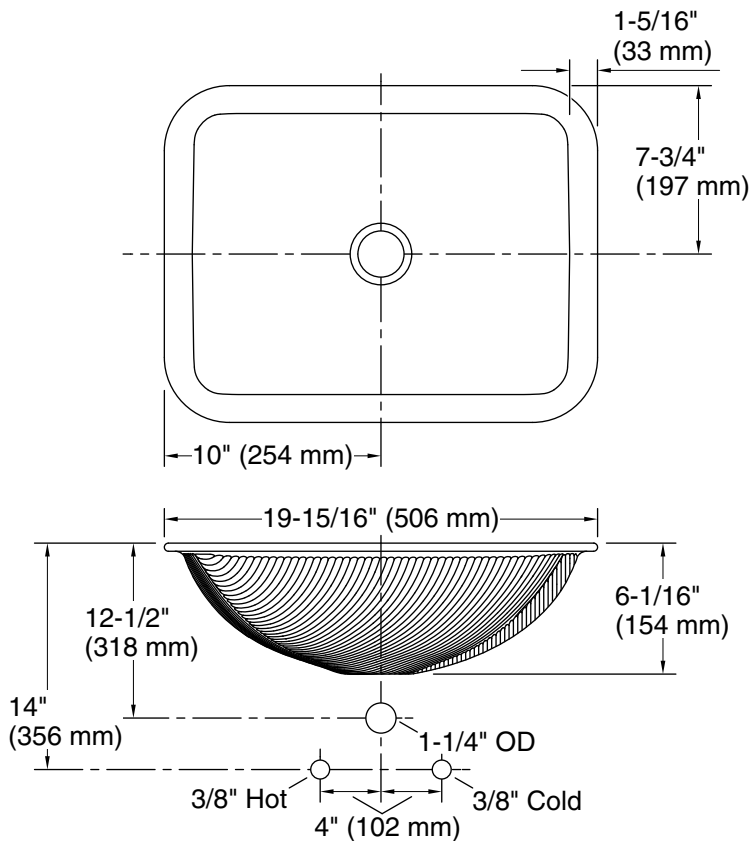
KOHLER® One-Year Limited Warranty

See website for detailed warranty information.

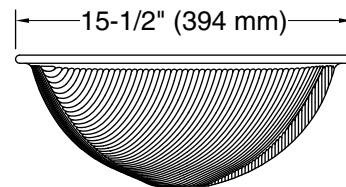
Available Colors/Finishes

Color tiles intended for reference only.

Color	Code	Description
	B11	Ice
	TG2	Translucent Dew
	TG1	Translucent Dusk
	TG3	Translucent Doe
	TG8	Translucent Stone
	TG6	Translucent Sapphire
	TG7	Translucent Sandalwood



Recommended ADA Installation



Technical Information

All product dimensions are nominal.

Bowl configuration: Single

Installation: Undermount

Min. base cabinet width: 13" (330 mm)

Bowl area (Only):
Length: 17-3/8" (441 mm)
Width: 13" (330 mm)
Bowl depth: 5-5/16" (135 mm)
Water depth: 5-5/16" (135 mm)

Drain hole: 1-11/16" (43 mm)

Template: Undermount, 1281904-7, required, included

Notes

Install this product according to the installation instructions.

ADA compliant when installed to the specific requirements of these regulations.