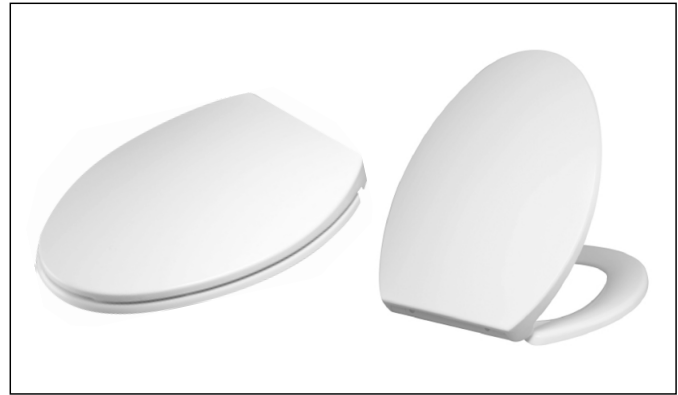


Features:

GC550126

- Elongated closed-front toilet seat with soft-closed cover
- Adjustable mounting hardware for an ideal fit
- High-impact, heavy-duty solid polypropylene
- UV protection minimizes color degradation
- Top mounting for quick and easy installation
- 4 large molded-in bumpers to prevent slippage
- Available in white

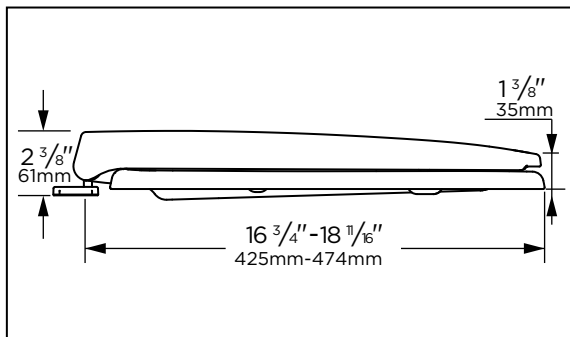
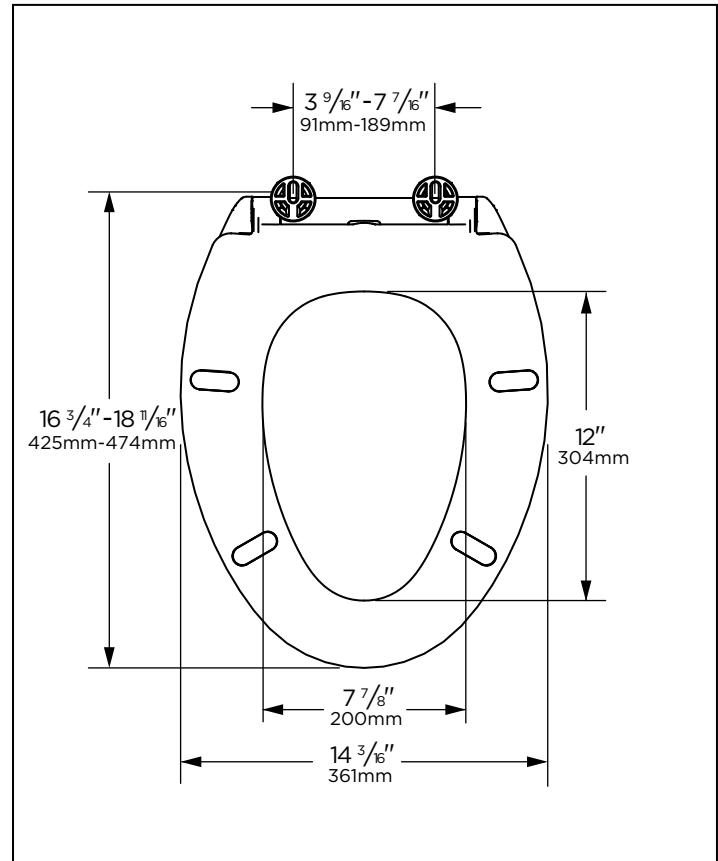


Technical Information:

Configuration	Elongated Toilet Seat
Type of Seat	Closed front with cover
Seat Hinges	Adjustable
Mounting Holes	3 9/16" - 7 7/16"
Height	2 3/8"
Width	14 3/16"
Depth	16 3/4" - 18 1/16"
Product Weight	3.7 lbs
Material	Polypropylene with UV protection
Bumpers	4

Warranty:

- Five Years Manufacturer Warranty



NOTES: All dimensions are in inches and millimeters. Illustrations may not be drawn to scale.

Standards: Complies with IAPMO/ANSI Z124.5 Plastic Toilet Seats