


SPECIFICATIONS

Features/Benefits

- 1.75 gpm (6.6 L/min) Max Flow @ 80 psi (D462027)
- 2.0 gpm (7.6 L/min) Max Flow @ 80 psi (D460029)
- 5 Functions: Wide, Centerjet, Aeration, Massage and Wide + Centerjet
- Brass Ball Joint with Polymer Shell
- Air Injection™ Technology
- Dual Valve™ Technology Optimizes Water Flow
- Easy-Glide™ Selector Ring
- Easy Clean Nozzles



Available Color/Finishes

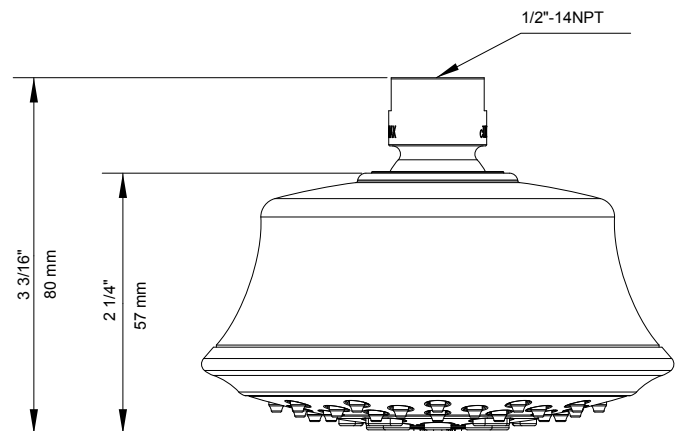
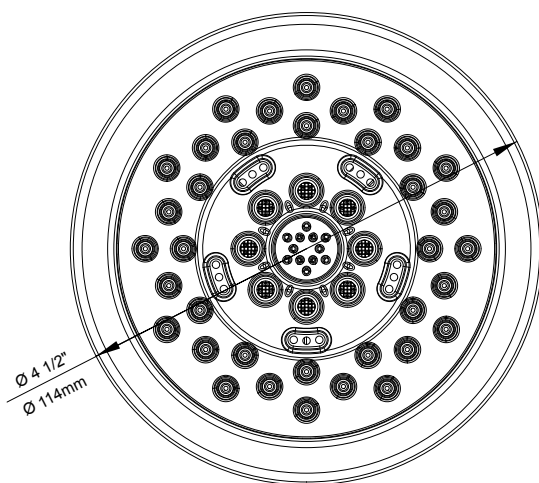
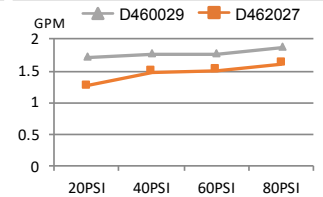
| Color | Description |
|---|-------------|
|  | Chrome |

Please see gerberonline.com or current price list for available finishes. Finish is defined by additional suffix.

Standards & Certifications



Flow Rate



Submittal Information:

Name: _____
Location: _____

Contractor: _____
Contact #: _____