

SPECIFICATIONS

PARMA™ TRIM LINE SINGLE HANDLE LAVATORY FAUCET

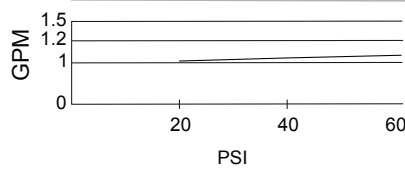
Model

D236158

Description

- Ceramic disc valve
- 4" high spout, 4 3/4" spout length
- With metal touch down drain assembly
- Hot and cold indicators DA60A060 included
- Single hole mount with optional deck plate DA667229
- 1.2gpm (4.5L/min) maximum flow rate @60 psi
- Meets CEC Requirement

Flow Rate



Standards



NSF/ANSI 372 • NSF/ANSI 372

MEETS ASME A112.18.1M/A112.18.1

• ASME A112.18.1M/A112.18.1



• ADA Accessibility Guidelines for Buildings and Facilities - 309.4 Operation and Operable Parts

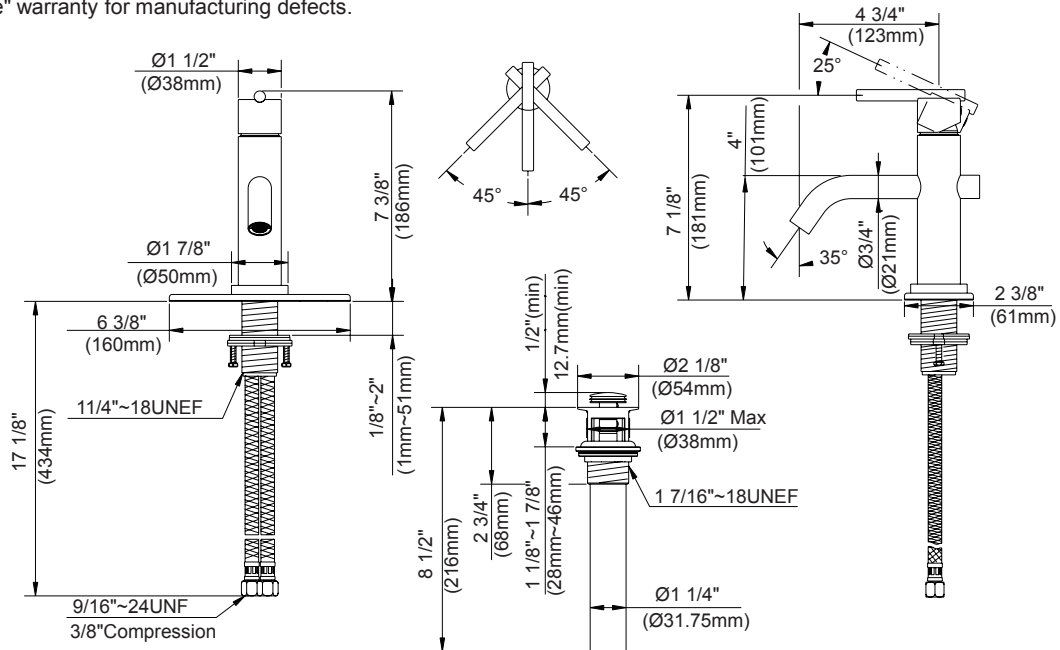
•WaterSense Pending

Finishes Available

- Chrome
- Other: Refer to Price List for additional finish

Warranty

Danze products are covered by a manufacturer's limited "lifetime" warranty for manufacturing defects.



Submittal Information:

Job Name: _____

Location: _____

Contractor: _____

Contact #: _____