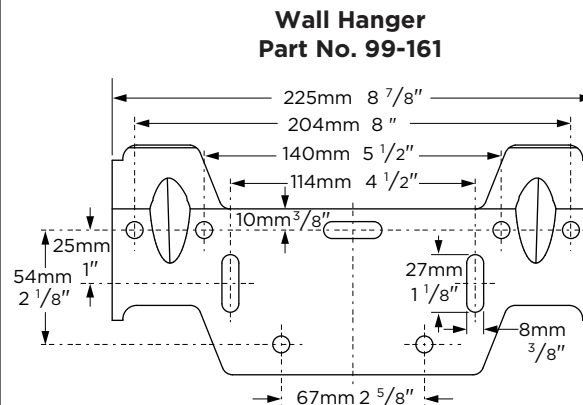
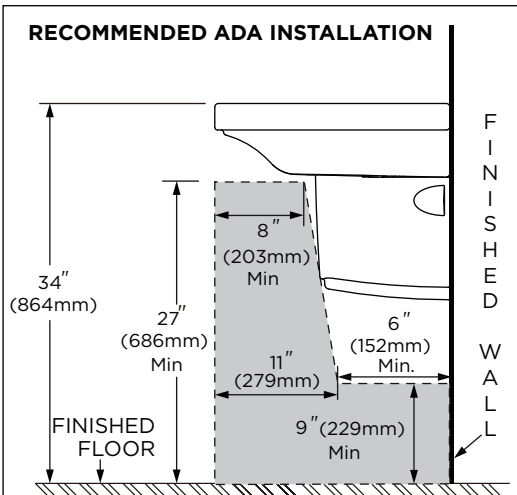


Installation Instructions for Wall Hung Sinks with Shroud

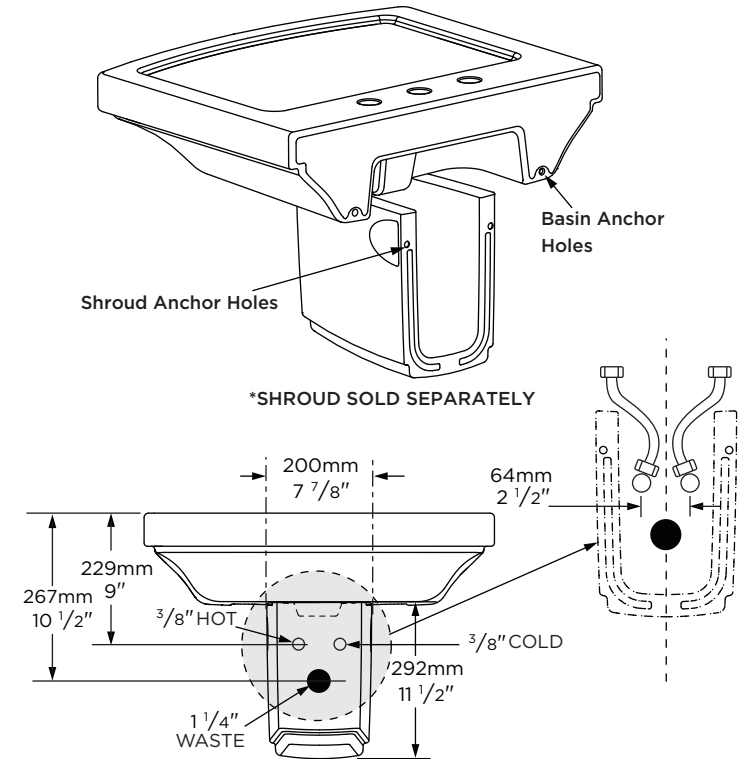
TOOLS REQUIRED



1. Provide suitable reinforcement behind the finished wall for lavatory hanger mounting.
2. Determine the desired lavatory rim height (31" general, 34" ADA or other) and use the dimensions on the lavatory specification sheet drawing to determine the height of the wall hanger.
3. Attach hanger to the wall loosely using the three (3) slotted holes (with tabs (ears) projecting out from the wall). Position hanger level before final attachment. Using suitable anchoring hardware, affix the hanger securely to the support inside the wall using the six (6) round holes. (See Figure 1)
4. Secure lavatory on hanger.
5. Lavatories with bottom anchor screw holes should be secured with anchor screws in addition to hangers.



Installation for 1 Hole and 4" Centers Faucets



Installation for 8" Centers Faucets

