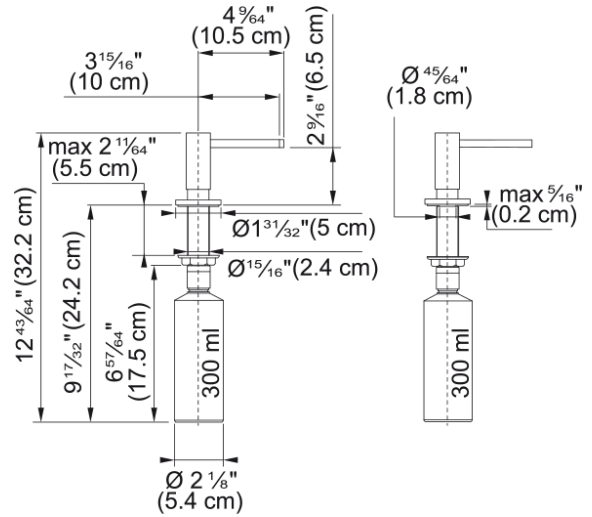


Active Soap Dispenser - ACT-SD-ONY | 119.0565.112



Technical Data

Aspect

Type of material	Stainless steel
Color	Onyx
Accessory type	Soap dispenser

Product identification

Collection	Active
------------	--------