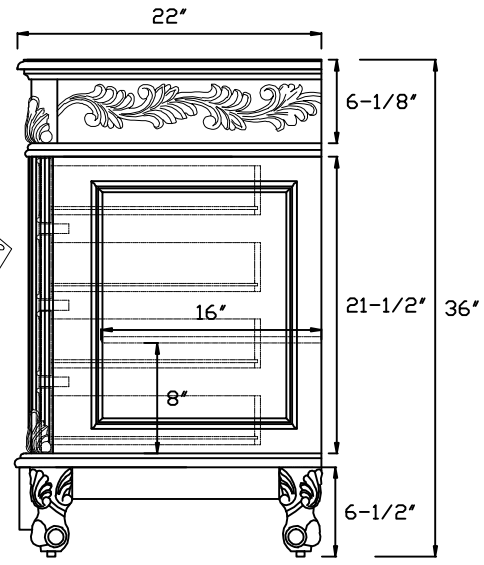
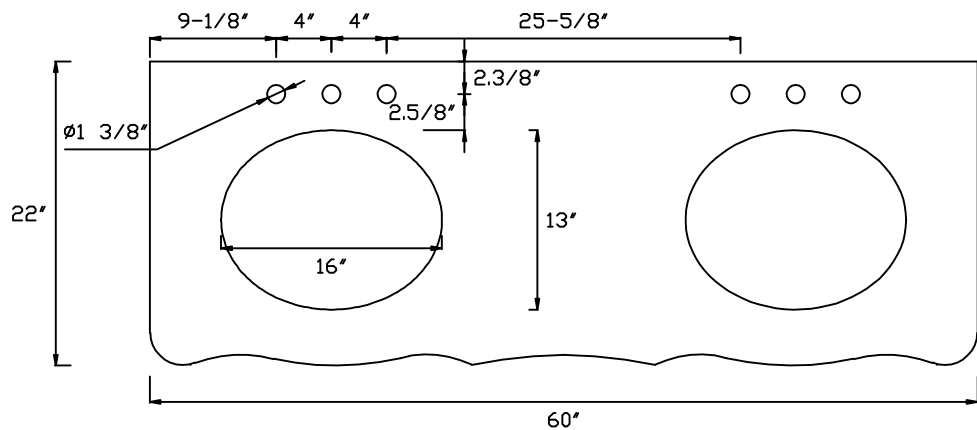


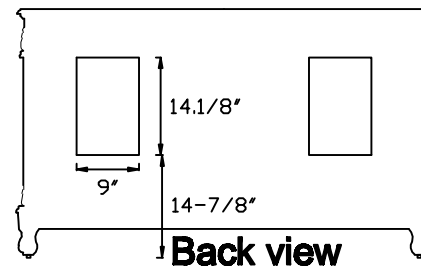
Front view



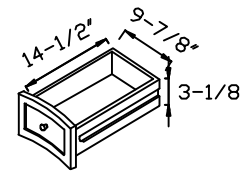
Side view



Top view



Back view



Drawer Interior Size

DWG. NO.

MODEL NO:
VF-1049TK

SPEC NO:

QUANTITY:

DATE:
10/26/2020

CHECKED BY:

FOR PROPOSAL ONLY ALL DIMENSIONS TO BE VERIFIED

PROJECT:

COLOR:

FINISH:

REVISIONS

1	
2	
3	
4	
5	
6	

ELEGANT
FURNITURE & LIGHTING™

500-550 E. Erie Avenue
Philadelphia PA 19134

