

LIVING DISTRICT

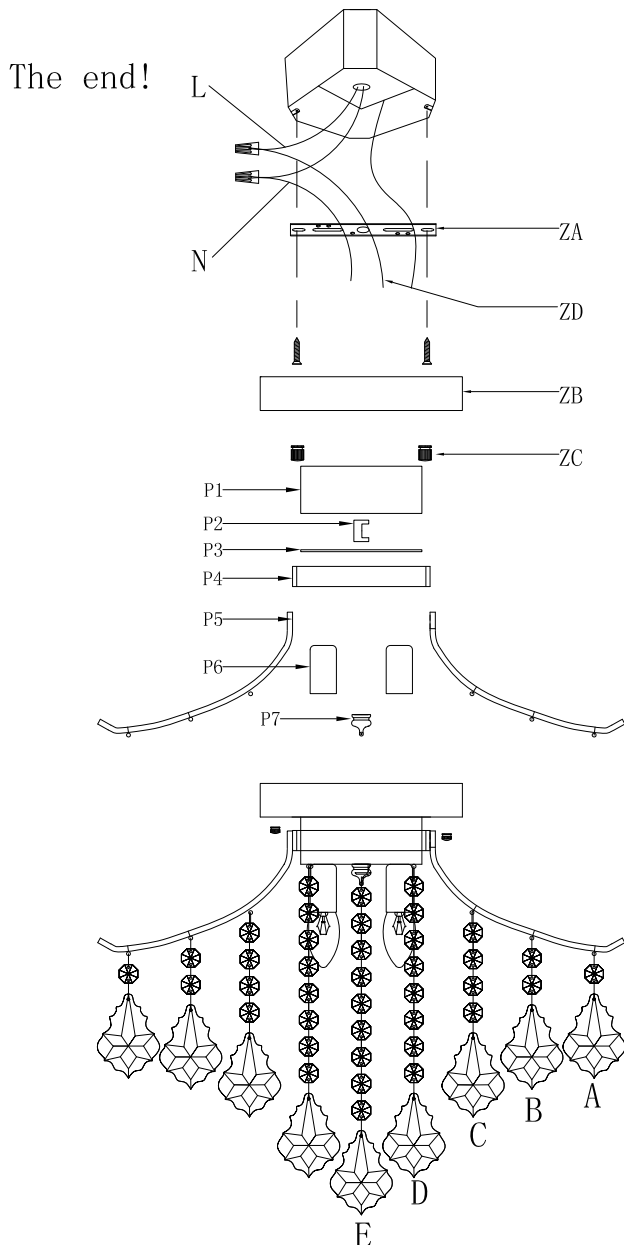
Collection:TOUREG

Installation manual for

LD8100F16 D16" H12" L3

Installation instructions:

1. Fix the crossbar (01) on the installation 4" junction-box (J-box).
2. Make sure the positive and negative charges of wire and lamp body match correctly, screw the connect point with the junction cap.
3. Make sure the main wire is enough long and keep the rest wire in the 4" J-box.
4. Fix the lamp body (02) on the crossbar (01) with crossbar bracket (03).
5. As the crystal pressing instruction, hang the crystal parts.



PARTS LIST

part	picture	Description	Qty	Check list
ZA		Mounting bracket	1	
ZB		6" Metal ceiling plate	1	
ZC		Knurled nut	2	
ZD		Power Cord 12" SPT-1-18#	1	
P1		3" Metal wire box	1	
P2		Hickey	1	
P3		3" Metal plate	1	
P4		4" Metal ring	1	
P5		5.7" Iron branch	12	
P6		E12 Lampholder	3	
P7		Finial	1	
A		1050-14#+911-2.5"	12	
B		1050-14#+2+911-2.5"	12	
C		1050-14#+4+911-2.5"	12	
D		1050-14#+7+911-2.5"	6	
E		1050-14#+8+911-2.5"	1	

"L" = Hot wire

"N" = Neutral wire

"E" = Ground wire