

Installation Instructions

MONTERREY SPREAD LAVATORY FAUCETS

6540.171
6540.177
6540.178
6540.179
6540.188
6542.177
6542.178



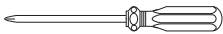
Certified to comply with ANSI A112.18.1M

M965453 REV. 1.2 (7/15)

*Thank you for selecting American-Standard...
the benchmark of fine quality for over 100 years.*

*To ensure that your installation proceeds smoothly—
please read these instructions carefully before you begin.*

Recommended tools



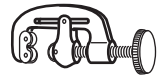
Phillips Screwdriver



Channel Locks



Adjustable Wrench



Tubing Cutter

1 SPOUT OR BASE ASSEMBLY

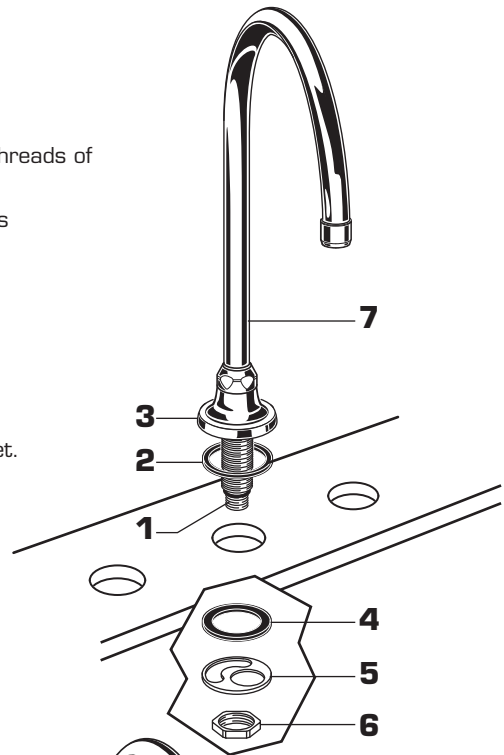
CAUTION

Turn off water at
main supply.

- Insert SPOUT SHANK (1) through center hole of mounting surface, making sure RUBBER GASKET (2) is properly positioned in SPOUT BASE (3).
- Assemble RUBBER WASHER (4), BRASS WASHER (5), and LOCKNUT (6) onto threads of SPOUT SHANK (1) from underside of mounting surface.
- Align SPOUT (7) and tighten LOCKNUT (6). Be sure slot in BRASS WASHER (5) is positioned to the rear as shown.

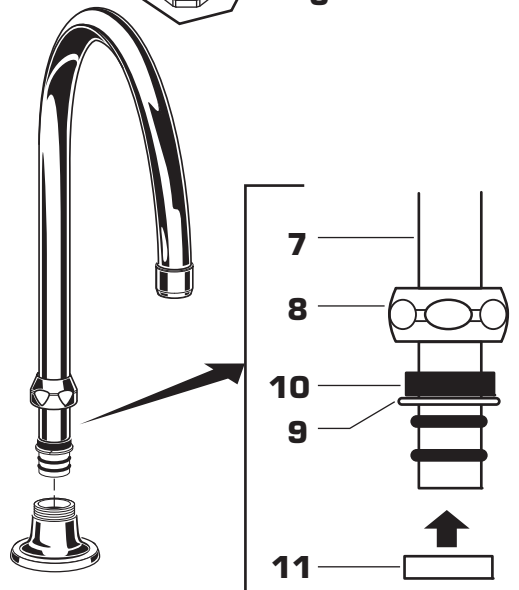
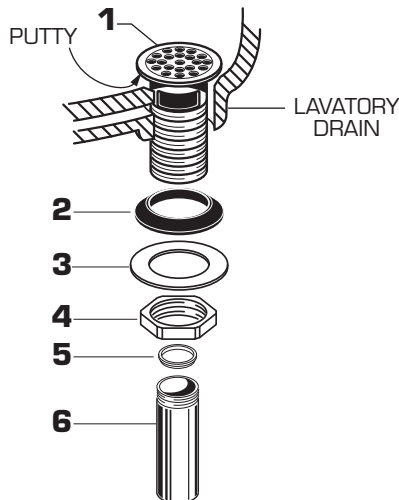
1a TO CHANGE SPOUT TO A SWIVEL SPOUT:

- Unscrew SPOUT NUT (8) and remove SPOUT (7).
- Take SPOUT CLIP (9) off SPOUT (7) and remove RUBBER RING (10).
- Replace RUBBER RING (10) with separate PLASTIC RING (11) packed with faucet.
- Put SPOUT CLIP (9) on SPOUT (7).
- Reassemble SPOUT (7) to SPOUT BASE (3).



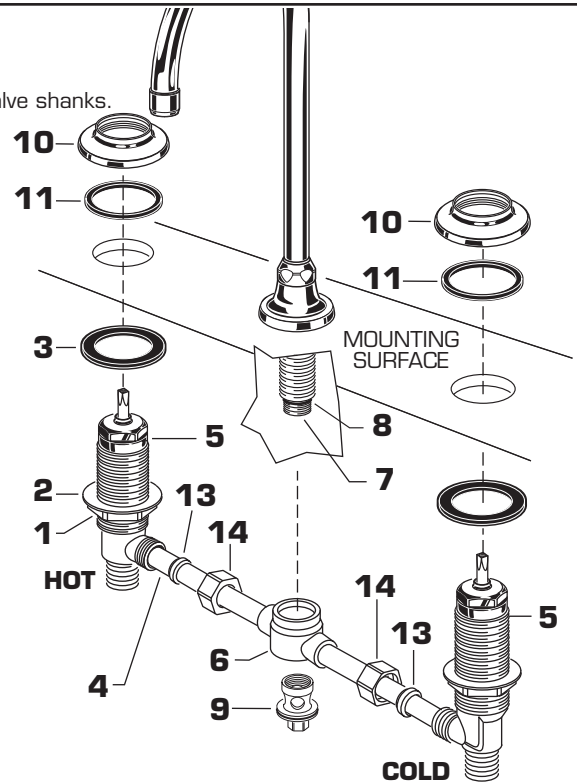
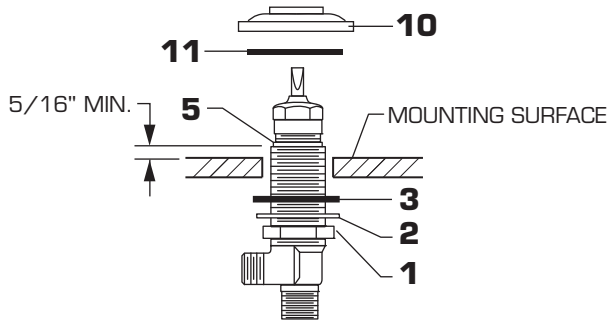
2 DRAIN ASSEMBLY (6542.177, 6542.178)

- Apply a bead of PUTTY around underside of DRAIN PLUG (1) flange. Insert DRAIN PLUG (1) into lavatory drain hole.
- Hold DRAIN PLUG (1) to prevent turning and assemble GASKET (2), WASHER (3) and LOCKNUT (4) from underneath sink. Tighten with adjustable wrench or channel locks.
- Make sure SEAL (5) is inserted into bottom of DRAIN PLUG (1). Insert threaded end of TAILPIECE (6) into lower end of DRAIN PLUG (1) and tighten.
- Connect other end to P-Trap.



3 VALVE ASSEMBLY

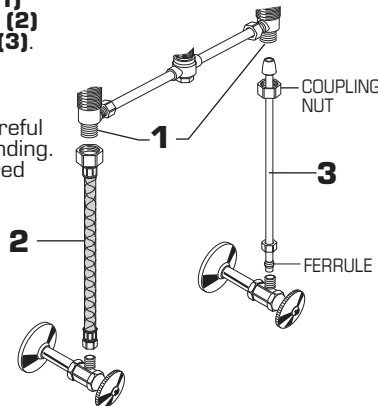
- Install LOCKNUTS (1), BRASS WASHERS (2) and RUBBER WASHERS (3) onto valve shanks.
- Push TUBING (4) ends into VALVE (5) side outlets. Insert VALVES (5) into mounting holes from underside of ledge.
- Press TEE (6) onto SPOUT SHANK (7) making certain that the O-RING (8) is properly seated on SHANK (7). Push COUPLING (9) into TEE (6) and attach to SPOUT SHANK (7) and tighten.
- Place RUBBER RING (11) into DECK ADAPTERS (10) and thread onto valves until snug against internal stop.
- Tighten LOCKNUT (1) to secure VALVE (5) position.
- Slide FERRULE (13) and COUPLING NUT (14) to outlet of VALVE (5) and tighten COUPLING NUT (14) firmly.



4 MAKE WATER SUPPLY CONNECTIONS

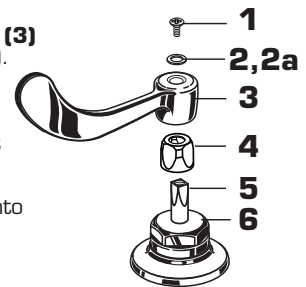
NOTE: FLEXIBLE SUPPLIES OR BULL-NOSE RISERS MUST BE PURCHASED SEPARATELY.

- Connect water supply to FAUCET (1) with 1/2" IPS FLEXIBLE SUPPLIES (2) or 3/8" O.D. BULL-NOSE RISERS (3).
- Use adjustable wrench to tighten connections. Do not over tighten. For BULL-NOSE RISERS (3), be careful not to kink copper supply when bending. Use of tubing cutter may be required to cut to proper length.



5 INSTALL HANDLES

- Turn VALVES (6) to off position.
- Insert ADAPTOR (4) with larger diameter over the VALVE STEM (5).
- Align WRIST BLADE HANDLE (3) and install onto ADAPTOR (4).
- Insert BLUE INDEX (2) into cold valve (right side) and red INDEX (2a) into hot valve (left side).
- Insert HANDLE SCREW (1) into HANDLES and tighten with screwdriver.



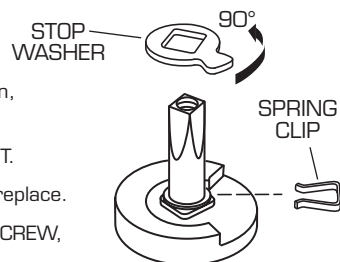
6 TEST INSTALLED FAUCET

- Remove AERATOR.
- With handle in OFF position, turn on water supplies and check all connections for leaks.

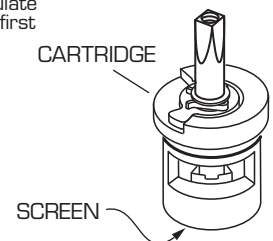
- Operate both handles to flush water lines thoroughly. Check spout mounting and hose connections for leaks.
- Turn handles into OFF position and replace AERATOR.

7 SERVICE

- To change direction of handle rotation, proceed as follows:
 - Turn valve to OFF position.
 - Remove HANDLE and BONNET NUT.
 - Remove SPRING CLIP.
 - Lift STOP WASHER, turn 90° and replace.
 - Replace SPRING CLIP.
 - Replace BONNET NUT, HANDLE, SCREW, and INDEX.
- AERATOR may accumulate dirt causing distorted and reduced water flow. Remove AERATOR and rinse clean.



- If spout drips, operate handles several times from OFF to ON position. Do not force - handles turn only 90°.
- Plastic SCREEN in CARTRIDGE may accumulate dirt causing reduced water flow. To clean, first turn off hot and cold water supplies, then:
 - Remove HANDLE and BONNET NUT.
 - Remove CARTRIDGE by pulling up.
 - Thoroughly rinse plastic SCREEN at base of CARTRIDGE.
 - Replace CARTRIDGE until flange is tight against valve body.
 - Turn valves OFF.
 - Replace BONNET NUT, HANDLE, SCREW and INDEX.



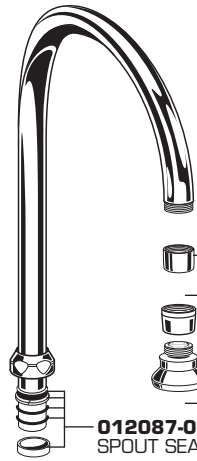
CARE INSTRUCTIONS:

DO: SIMPLY RINSE THE PRODUCT CLEAN WITH CLEAR WATER. DRY WITH A SOFT COTTON FLANNEL CLOTH.
DO NOT: DO NOT CLEAN THE PRODUCT WITH SOAPS, ACID, POLISH, ABRASIVES, HARSH CLEANERS, OR A CLOTH WITH A COARSE SURFACE.

MONTERREY
SPREAD LAVATORY
FAUCETS

MODEL NUMBERS

6540.171
6540.177
6540.178
6540.179
6540.188
6542.177
6542.178

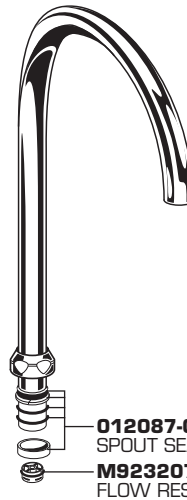


051336-0020A
AERATOR
VANDAL PROOF KIT

M964463-YYY0A
AERATOR, (1.2 gpm)
066114-0020A
AERATOR, (0.5 gpm)

M950336-0020A
ROSE SPRAY

012087-0070A
SPOUT SEAL KIT



012087-0070A
SPOUT SEAL KIT

M923207-0070A
FLOW RESTRICTOR

051211-0070A
INDEX KIT

051217-0020A
WRIST BLADE
HANDLE

051322-0020A
VANDAL PROOF
SCREW

M918014-0070A
ADAPTER

904939-0020A
BONNET NUT

951764-0070A
CARTRIDGE

051212-0020A
ESCUTCHEON KIT

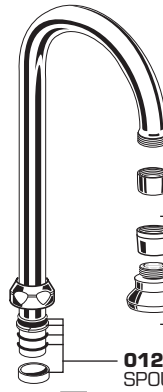
051213-0070A
VALVE MOUNTING KIT

024220-0070A
COUPLING NUT

030256-0070A
SPOUT MOUNTING KIT

012112-0070A
TUBE SEAL &
COUPLING KIT

012111-0070A
TUBE & TEE KIT



051336-0020A
AERATOR
VANDAL PROOF KIT

066114-0020A
AERATOR, (0.5 gpm)

M950336-0020A
ROSE SPRAY

012087-0070A
SPOUT SEAL KIT

M950284-0020A
ESCUTCHEON KIT

A911748-0070A
SPOUT GASKET



015025-0020A
DRAIN COMPLETE

070532-0040A
TAILPIECE

033757-0070A
TEE MOUNTING KIT

Appropriate finish code

CHROME 002

HOT LINE FOR HELP

For toll-free information and answers to your questions, call:

1 (800) 442-1902

Mon. - Fri. 8:00 a.m. to 8:00 p.m. EST

Saturday 10:00 a.m. to 4:00 p.m. EST

IN CANADA 1-800-387-0369

(TORONTO 1-905-306-1093)

Weekdays 8:00 a.m. to 7:00 p.m. EST

IN MEXICO 01-800-839-1200

